

## Top 10 Reasons Why Our Slow Moving Vehicle Laws Need to Change

- ① For everyone's safety we are not only putting us at risk but also the general public
  - ② In 2019 we cost the insurance companies several million dollars that could probably have been avoided with a flashing light.
  - ③ If we had to pay that much damage because the public didn't follow the law we would ask for a change immediately.
  - ④ It is not against our religion to have a flashing light as we use them for other purposes every day.
  - ⑤ The people that are negative about changing the laws that you hear from make up about 1% of our population in our group.
  - ⑥ A large part of our group including our safety committee want a change but fear to voice their opinion.
  - ⑦ The public roads are not ours and we should follow the laws or stay off the roads
  - ⑧ If we ask our leaders why we don't put a flashing light on our slow moving vehicles they say the law is not requiring us to put a flashing light on and they do not have a religious reason that makes sense to most of us. that is why the law needs to be enforced.
  - ⑨ You are not asking for something that we don't already have.
  - ⑩ A large part of our group including our safety committee would support the above except of the fear from a small group of people
- the above is written by an amish church member not an outside person

Hello Dear Leadership of Ohio State 03-1-21

I want to thank you for your willingness to try and come up with a solution to the roadway safety issues within the English and Amish communities. This has been a concern to me over the past years. I know this is a sense of fear within the English community when it comes to being on the roadway with the buggies and the safety concerns that arise. As an Amish Bishop, I am willing to work with both parties to try and come up with something to make our buggies as visible as we can for safety purposes. I think we need to do what is best on both sides of the equation - Amish and English alike. I always have a fear when we get on the road with a whole family with horse and buggy but thank God who was watching over my family over the past years. I would be willing to put a small battery-operated washer on our buggies which I think would be a huge help for both parties, English and Amish.

In The Summer of 2019 I was brought To  
3 car and buggy Accidents and it was  
terrible To see how both side had To  
suffer From The Accidents. Amish and English  
so I think we need To Take This very  
serious and pray For Gods help on This  
subject. I am aware of a lot of disconnect  
in The Amish Community. So bare with  
us and I hope you can come up with a  
solution That will help both parties.  
Thanks For being Patient with us over The  
past years

This was written out of Love From a Concern  
Bishop From Ohio

CONCERNING The SWARTZENTRUBER  
Amish Buggies ON The Public Roads  
we AS members OF The above  
said church have seen a LOT OF  
car AND Buggy Crashes Through out  
The STATE OF OHIO IN The LAST  
couple years. MANY Love ones AND  
Friends were injured OR Killed ON  
The Public roads, we AS members OF  
The church would like The STATE TO  
improve our SAFTY IN some way.  
For The Buggy driverer AS well AS  
The car driver which BOTH are  
OFTEN innocent people who would  
like To see improvement IN Lighting  
ON our Buggies.

We ALSO HOPE That The Law does  
NOT BLAME the members OF The  
church For NOT Having MORE SAFTY  
LIGHTS ON our Buggies, ~~AS~~ AS a  
rule, church members do NOT Have  
a vote IN such MATTERS, IT IS  
UP TO the Bishops what they

WANT AND The member will have  
To apply even if the Law does  
NOT PERMIT IT.

Our hope is that the Law  
does NOT press charges against  
the members of the church that  
are innocent, Because these members  
can NOT put more lighting on  
their Buggies unless our Bishop  
tell us.

For us younger members it seems  
very SCARY to drive on the public  
road in the dark with only dim  
lighting which motorized vehicle  
hardly see AT ALL.

we do NOT wish to see our  
rights to be TAKEN on the  
public roads, BUT we WANT SAFTY  
For ALL parties

To God we PRAY For our Government.

AMEN.

## Do People Get Hurt Or Killed

Yes a few of my friends have been killed, and many hurt. Including me and my Parents. That's not it, the English have to live with that feeling to have hit someone. I am very sorry for that. Most of this could have been prevented, including my accident by one simple step, stroke light..

## Insurance for us

So if you hit me, kill the horse and total the buggy and I'm hurt. Even though you could not see me. But I had a lantern and 70" reflector tape, and it was raining and hard to see, you get the ticket. My buggy was 20yrs. old, the horse 12 yrs. old. Now the insurance pays for a new buggy and a young horse plus medical bills. Remember I said horse and buggy were old. Now all new. Is that right? I never paid any insurance. Now we, the Amish get everything we can. We have cause the insurance Co. Millions of dollars over the years. Plus lots of grieving people, English and Amish. These are a few of my points. And I don't want to cause a problem of any kind. I just wish something could be worked out for both sides in peace

In Kind Regards

Hello My Friends

Who Am I Just a plain Swartzentruber Amish man with a family with the least amount of reflecters and lighting on My buggy.

What are My Concerns

on road safty for you and me. I never want to be hit again. And you never want to hit someone.

My Experience

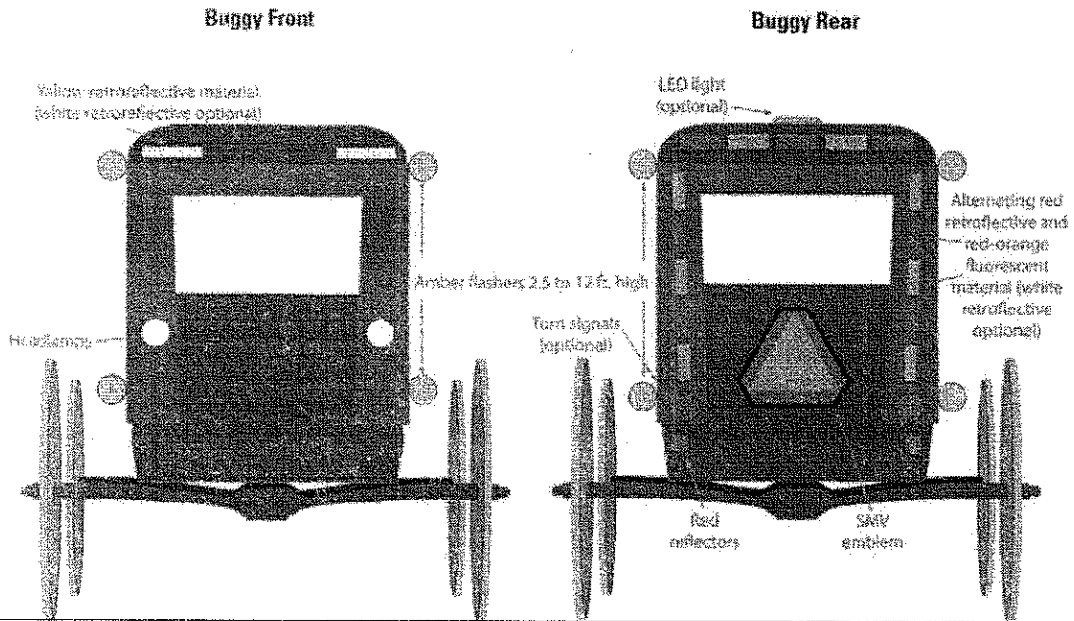
I've been hit twice. The first time was from a young boy. He looked down to adjust his channel. The last time was from a good old guy in day light. I was in the shade. The buggy was black and the rogg, was also black with a fresh rain. I was almost invisible. Since that I have a big fear to be on the road. Because we are at times almost invisible

Is there more traffic on the Road?

Yes a lot more traffic. Back in the day when the law was passed (which we have now), there was very little traffic compare to now days. And we still have only one lantern and 72" reflecter tape on the back, plus some up front, many years later!

# Petition to Increase Buggy Safety

We, the undersigned, qualified electors of Ohio, respectfully petition the State of Ohio to change and increase buggy safety laws, to mandate lighting and reflection markings on animal-drawn vehicles, including buggies and wagons, and to require participation without exception because of the over-riding need to increase safety for all.



Signature	Printed Name	Voting Residence Street Address	City or Village	County	Date
<i>John J. Smith</i>	John J. Smith	1234 Main	Wooster	Wayne	5/15/18
<i>Denise Ch...</i>	Denise Ch...	1234 7415 Funk	Shreve	Wayne	2/5/20
<i>Joshua Miller</i>	JOSHUA MILLER	320 DEERCREST ST. RETTMAN, OH	RETTMAN	WAYNE	2/5/20
<i>Peggy Bragg</i>	Peggy Bragg	1834 Cloverdale St	Orrville	Wayne	2/6/20
<i>Elaine Troyer</i>	Elaine Troyer	8385 S. Elyria Rd.	Shreve	Wayne	2/7/2020
<i>Twila Geiser</i>	Twila Geiser	1618 Myers	Wooster	"	2/7/2020
<i>Kerth A. Harstler</i>	Kerth A. Harstler	182 ECKARD RD	DARTON	WAYNE	2/7/2020
<i>Danielle Howell</i>	Danielle Howell	107 Spruce Dr.	Creston	Wayne	2/7/2020
<i>Aaron Howell</i>	Aaron Howell	107 Spruce Dr.	Creston	Wayne	2/7/2020
<i>Wm. F. Dannelly</i>	Wm. F. Dannelly	350 Walden Ave.	Wooster	Wayne	2/7/2020
<i>Diane Bostancic</i>	Diane Bostancic	2295 Tatum Ln	Wooster	Wayne	2/7/2020
<i>Bill B. Bostancic</i>	Bill BOSTANCIC	2295 Tatum Ln	Wooster	Wayne	2-7-2020
<i>Cassandra Hutzler</i>	Cassandra Hutzler	238 Coulter St.	Creston	Wayne	2-7-20
<i>Alicia Hewitt</i>	Alicia Hewitt	3949 Buss Rd	Wooster	Wayne	2-7-20
<i>Jordan Hewitt</i>	Jordan Hewitt	3949 Buss Rd.	Wooster	Wayne	2-7-20
<i>Bob Anderson</i>	Bob Anderson	3940 Hegel Rd	Wooster	Wayne	2-9-20
<i>Susan T. Lang</i>	Susan T. Lang	3038 Canal Rd	.	.	2-10-20
<i>Kelly Rhodes</i>	Kelly Rhodes	3019 Millersburg Rd	Wooster	Wayne	2-10-2020
<i>Ronda Alexander</i>	Ronda Alexander	3071 McAfee Rd	Wooster	Wayne	2-10-2020
<i>Darlene Cassidy</i>	DARLENE CASSIDY	4561 Melissa Dr.	Wooster	Wayne	2-10-2020
<i>Dale Knobe</i>	Dale Knobe	2529 Monterey St.	Wooster	Wayne	2-10-20
<i>Dwayne Anderson</i>	DWAYNE ANDERSON	6095 ELY RD	WOOSTER	WAYNE	2-10-20

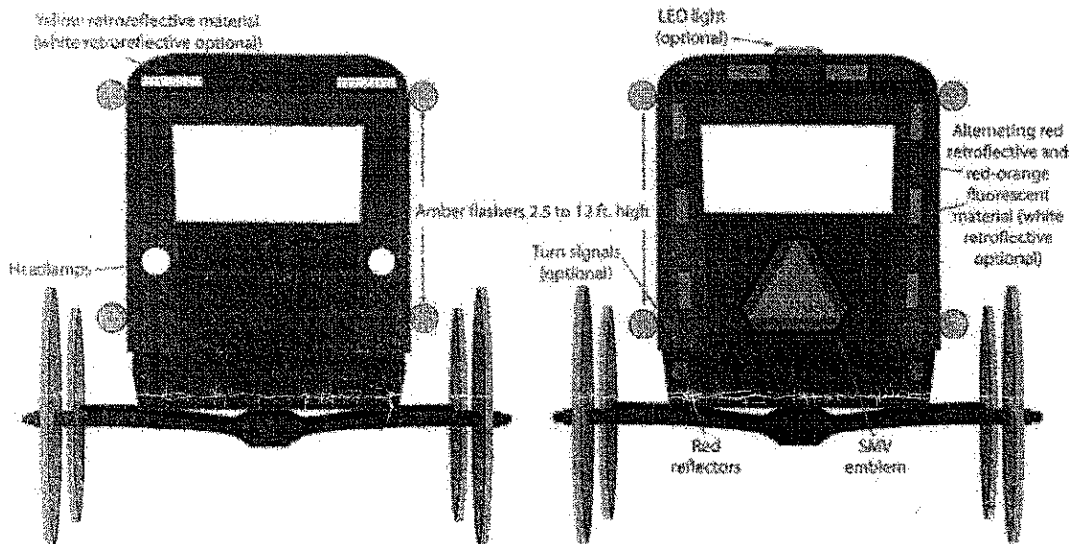


# Petition to Increase Buggy Safety

We, the undersigned, qualified electors of Ohio, respectfully petition the State of Ohio to change and increase buggy safety laws, to mandate lighting and reflection markings on animal-drawn vehicles, including buggies and wagons, and to require participation without exception because of the over-riding need to increase safety for all.

Buggy Front

Buggy Rear



Signature	Printed Name	Voting Residence Street Address	City or Village	County	Date
<sup>1</sup> John J. Smith	John J. Smith	1234 Main	Wooster	Wayne	5/15/18
<sup>2</sup> Sherrie Byler	Sherrie Byler	1711 E Moreland Rd	Wooster	Wayne	2-16-20
<sup>3</sup> Atlee Byler	Atlee Byler	1711 E Moreland rd	wooster	wayne	2-16-20
<sup>4</sup> <del>David Guder</del> David Guder	David Guder	1010 W. Market St	Brrville	wayne	2-18-20
<sup>5</sup> Roberta Burr	Roberta Burr	2531 Stahr Ln	Wooster	Wayne	2-18-20
<sup>6</sup> Sue Ann Adams	SUE ANN ADAMS	2327 W. HONEYTOWN	WOOSTER	WAYNE	2-19-20
<sup>7</sup> Don Adams	DON ADAMS	2327 W. HONEYTOWN	WOOSTER	WAYNE	2-19-20
<sup>8</sup> Monica Drown	MONICA DROWN	3101 VALLEY RD	WOOSTER	WAYNE	2-20-20
<sup>9</sup> Sandra K. Wenger	Sandra K. Wenger	111 Briarwood Dr.	Dalton	Wayne	2-20-20
<sup>10</sup> Doug Paulin	Doug Paulin	322 C.R. 30A	Jeromasville	Ashland	2-20-20
<sup>11</sup> Virginia Ogden	Virginia Ogden	2871 D Shreve Rd	Wooster	Wayne	2-21-20
<sup>12</sup> <del>Chanty Hower</del> Chanty Hower	Chanty Hower	1035 brookside dr.	WOO.	Wayne	2-21-20
<sup>13</sup> Kathie Franks	KATHIE FRANKS	13190 Top 1037	BIG PRAIRIE	HOLMES	2-22-20
<sup>14</sup> John Neer	JOHN NEER	5089 TR 339	MILLERSBURGH	HOLMES	2-22-20
<sup>15</sup> Ron Wright	Ron Wright	6199 West West Salon P.	Bucbank	WAYNE	2-23-20
<sup>16</sup> <del>Matt Ogden</del> Matt Ogden	Matt Ogden	3857 Pleasant run	wooster	Wayne	2/23/20
<sup>17</sup> Beth Mast	Beth Mast	6501 Chippewa Rd.	Orville	Wayne	2/22/20
<sup>18</sup> Dandy Weaver	Dandy Weaver	2228 Strasburg Rd	Strasburg	TUSC.	2/28/2020
<sup>19</sup> <del>Lisa Turley</del> Lisa Turley	Lise Turley	9208 Strasburg - Bolivar	Strasburg	Tusc.	2/28/2020
<sup>20</sup> Linda Clark	LINDA CLARK	1515 W TOLBERT RD	WOOSTER	WAYNE	2/29/2020
<sup>21</sup> Rita Lower	Rita Lower	501 S. David Ave	Smithville	Wayne	2/29/2020
<sup>22</sup> Mark McElly	MARK McELLY	1400 Spring Hill Dr	Orville	Wayne Ohio	2/29/2020

23.	<i>A. E. Brennan</i>	<i>Amy E. Brennan</i>	<i>397 N. Main</i>	<i>Shreve</i>	<i>Wayne</i>	<i>2/11/2020</i>
24.	<i>Rachael Gorey</i>	<i>RACHAEL GOREY</i>	<i>949 McKinley St</i>	<i>Wooster</i>	<i>Wayne</i>	<i>2/29/2020</i>
25.						
26.						
27.						
28.						
29.						
30.						
31.						
32.						
33.						
34.						
35.						
36.						
37.						
38.						
39.						
40.						
41.						
42.						
43.						
44.						
45.						
46.						
47.						
48.						
49.						
50.						

**WHOEVER COMMITS ELECTION FALSIFICATION IS GUILTY OF A FELONY OF THE FIFTH DEGREE**

*Must be completed by the circulator.*

I \_\_\_\_\_, declare under penalty of election falsification that I reside at the address appearing below my signature; that I am the circulator of the foregoing petition containing \_\_\_\_\_ (number) signatures; that I witnessed the affixing of every signature; that all signers were to the best of my knowledge and belief, qualified to sign; and that every signature is to the best of my knowledge and belief the signature of the person whose signature it purports to be or of any attorney in fact acting pursuant to section 3501.382 of the Ohio Revised Code.

\_\_\_\_\_  
Printed Name of Circulator

\_\_\_\_\_  
Signature of Circulator

\_\_\_\_\_  
Permanent Address of Circulator

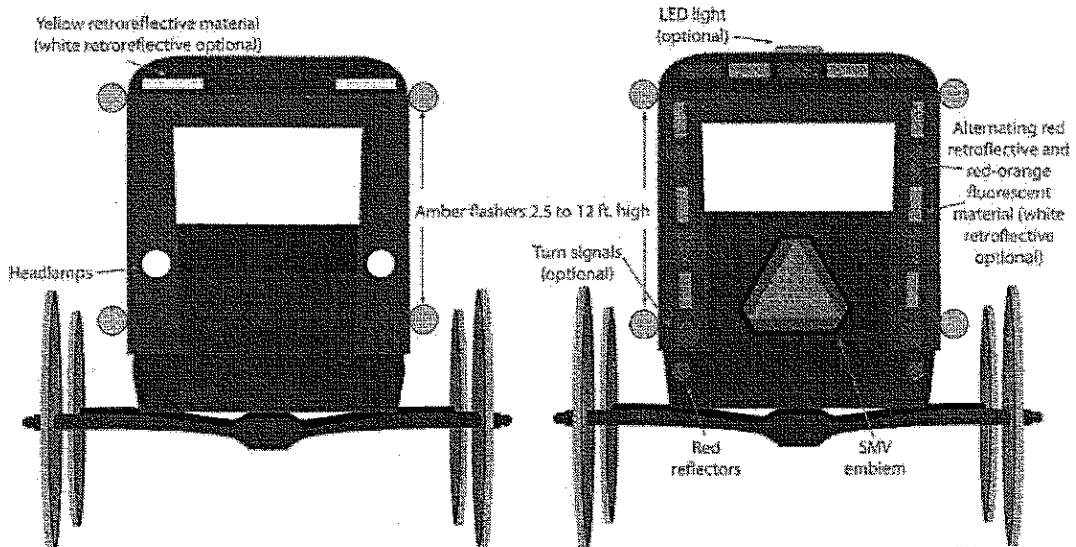
\_\_\_\_\_  
City / State/ Zip of Circulator

# Petition to Increase Buggy Safety

We, the undersigned, qualified electors of Ohio, respectfully petition the State of Ohio to change and increase buggy safety laws, to mandate lighting and reflection markings on animal-drawn vehicles, including buggies and wagons, and to require participation without exception because of the over-riding need to increase safety for all.

**Buggy Front**

**Buggy Rear**



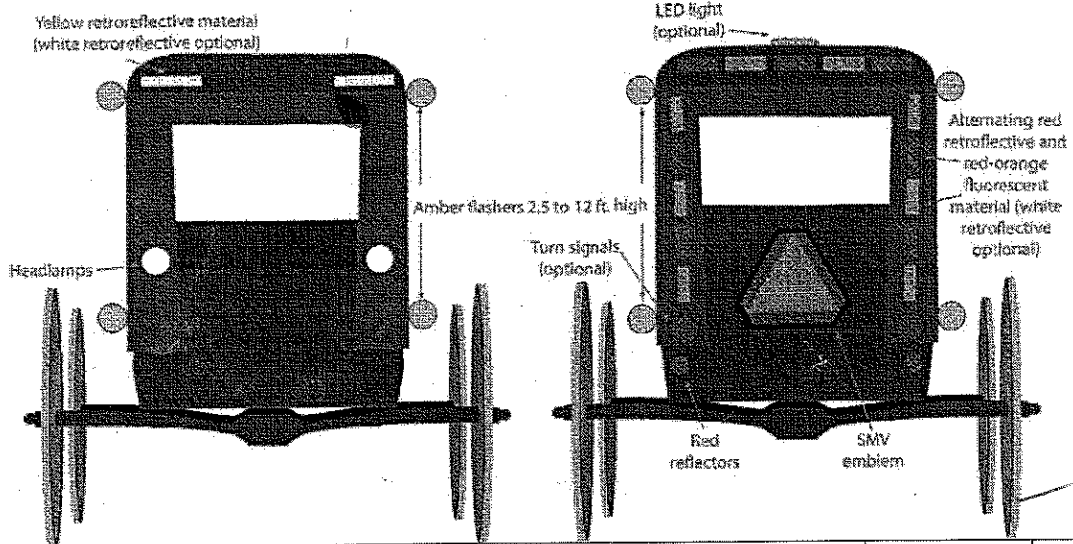
Signature	Printed Name	Voting Residence Street Address	City or Village	County	Date
1. <i>John J. Smith</i>	John J. Smith	1234 Main			5/15/18
2. <i>Jamie Imhoff</i>	Jamie Imhoff	8080 Myers Rd.	West Salem	Wayne	4/29/20
3. <i>William K Henry</i>	WILLIAM K HENRY	322 US Hwy 42	Park	ASHLAND	1-29-20
4. <i>Cathie Franks</i>	Cathie Franks	911 Twp Rd 713	Ashland	Ashland	2-4-2020
5. <i>Jeffrey N. Layton</i>	Jeffrey N. Layton	9915 Wohlgamuth	West Salem	Wayne	2/4/2020
6. <i>Jonathan O Wollert</i>	Jonathan O Wollert	8922 MATTERD	West Salem	WAYNE	2/4/2020
7. <i>Jim Bowers</i>	JIM BOWERS	348 N. FIRESTONE	WOOSTER	WAYNE	2-13-20
8. <i>Traci O'Hearn</i>	Traci O'Hearn	1886 Edwards Dr.	Wooster	Wayne	2-13-20
9. <i>Paul G Hesse</i>	PAUL G HESSE	424 INDUSTRIAL	WOOSTER	Wayne	2-13-20
10. <i>Joshua S. Marang</i>	Joshua S. Marang	7359 S Elyria Rd	Shreve	Wayne	2-13-20
11. <i>Tony Powers</i>	Tony Powers	10818 McQuade Rd	ORRVILLE	Wayne	2-13-20
12. <i>Jim Swartz</i>	Jim Swartz	6705 S Jefferson Rd	Shreve	Wayne	2-13-20
13. <i>Robert Swartz</i>	Robert Swartz	6205 S Jefferson Rd	Shreve	Wayne	2-13-20
14. <i>Ray Ginter</i>	Ray Ginter	118 S Firestone Rd	Wooster	Wayne	2-13-20
15. <i>Dwane L. Smith</i>	DWANE L. SMITH	1056 MINDY LN.	WOOSTER	WAYNE	2-13-20
16. <i>Robert Atkins</i>	ROBERT ATKINS	4084 Shevella	WOOSTER	WAYNE	2-13-20
17. <i>Laura Stalnick</i>	Laura Stalnick	115 SPINKS ST	Wooster	WAYNE	2-13-20
18. <i>Judy Bowers</i>	Judy Bowers	348 N. Firestone	Wooster	Wayne	2-13-20
19. <i>Mike Chirton</i>	MIKE CHIRTON	203 W. Liberty St	WOOSTER	WAYNE	2-14-2020
20. <i>Chris Archa</i>	Chris Archa	1212 N. Beaver	wooster	Wayne	2-14-20
21. <i>Randy Bowers</i>	Randy Bowers	455 N. Firestone Rd	Wooster	Wayne	2-14-20
22.					

# Petition to Increase Buggy Safety

We, the undersigned, qualified electors of Ohio, respectfully petition the State of Ohio to change and increase buggy safety laws, to mandate lighting and reflection markings on animal-drawn vehicles, including buggies and wagons, and to require participation without exception because of the over-riding need to increase safety for all.

Buggy Front

Buggy Rear



Signature	Printed Name	Voting Residence Street Address	City or Village	County	Date
<sup>1</sup> John J. Smith	John J. Smith	1234 Main			5/15/18
<sup>2</sup> Roger Parsons	ROGER PARSONS	187 CR 620	West Salem	Ash	2/1/2020
<sup>3</sup> Alfred Hughes	ALFRED HUGHES	107 TW PRD 816 <sup>LOT 27</sup>	W. SALEM	ASH	2-1-2020
<sup>4</sup> Rebecca Moeck	Rebecca Moeck	41 W. West Salem Rd.	West Salem	Wayne	2/1/20
<sup>5</sup> Mike Imhoff	Mike Imhoff	980 Hwy Rd 21	POLK OH	ASHLAND	2-1-20
<sup>6</sup> Rita Shankel	Rita Shankel	West Salem			2-1-20
<sup>7</sup> Daniel L Shankel	Daniel L Shankel	West Salem			2-1-20
<sup>8</sup> Tommy Adams	Tommy Adams	4194 Cinnamon Dr	West Salem	Ashland	2-1-20
<sup>9</sup> Candy Miller	Candlyn Miller	West Salem		Ashland	2-1-20
<sup>10</sup> Dan Brondt	Dan Brondt	Road Right	West Salem		2/2/20
<sup>11</sup> Dan Brondt	Dan Brondt	102 Highland	ashland	ashland	2/2/2020
<sup>12</sup> Dan Smalley	Dan Smalley	6701 RIDGEVIEW	NORTH	LOREN	2/2/2020
<sup>13</sup> Mike Juskow	Mike Juskow	410 Hill	Spencer	Medina	2/2/2020
<sup>14</sup> Karen G. Leonetti	Karen G. Leonetti	7344 ST. R. ST. 35	ASHLAND	ASHLAND	2/2/2020
<sup>15</sup> Kayla Hill	Kayla Hill				
<sup>16</sup> Kayla Hill	Kayla Hill	2340 Cardinal Court	WOOSTER Ohio	Wayne	2/2/2020
<sup>17</sup> Jon Shadley	Jon Shadley	158 E. Park	West Salem	Wayne	2/2/20
<sup>18</sup> Terrie Beck	Terrie Beck	710 Bank Street	Lockport	Medina	2/5/20
<sup>19</sup> Tamme Metzger	Tamme Metzger	360 S. Main St	West Salem	OH	2/4-20
<sup>20</sup> Tamme Metzger	Tamme Metzger	LOT 5	West Salem	OH	2-1-20
<sup>21</sup> Linda Johnston	Linda Johnston	1346 St Rt 89	Ashland	Ashland	2-4-20
<sup>22</sup> Tammy Coogan	TAMMY COOGAN	2356 Reel	West Salem		2-4-20

25	Jaron William	Janig William	1016 Tup Rd 133	W. Salem	Ashland	
26	Carl Medure	Carl Medure	9650 Ruff Rd	W. Salem	Wayne	2/6/2020
27	Kim Hill	Kim Hill	West Salem	→		2-6-20
28	Courtney Hill	Courtney Hill	Congress	Congress	Wayne	2-7-20
29	Nicholas A Thomas	Nicholas A Thomas	Home Twp	W. Salem	Medina	2-7-2020
30	Melissa Morr	Melissa Morr	302 Greeley St	W. Salem	Wayne	2-7-2020
31	Brian Burtov	Suzanne Burtov	58 St. Rt. 42	W. Salem	Ashland	2-7-2020
32	Bill Gordon		12777 Joffrey	W. Salem	Medina	2/7/2020
33	Delice Kane	Delice A Kane	407 Tup Rd 581	Sullivan	Ashland	2-7-2020
34	Robert Kane	Robert L. Kane	407 Tup Rd 581	Sullivan	Ashland	2/7/2020
35	TERRA FITZPATRICK		1345 TWP RD 53	ASHLAND	ASHLAND	2/7/2020
36	Grace Blankenship	Grace Blankenship	344 Congress Street	W. Salem	Wayne	2/7/2020
37	Pete Rittle	Pete Rittle	607 T. Rd 101	W. Salem	Ashland	2-7-20
38	Jeanette Riffle	Jeanette Riffle	617 Tup. Rd. 101	W. Salem	Ashland	2-7-2020
39	Peth Dorsey	Beth Dorsey	572 Twp Rd 101	W. Salem	Ashland	2-7-2020
40	Robert Ferguson		76 CENTENNIAL	W. SALEM	WAYNE	2-8-2020
41	Sue Schaad	Sue Schaad	11094 W. W. SALEM RD	W. SALEM	WAYNE	2/10/2020
42	Bill Schaad	Bill Schaad	11094 W. W. SALEM RD	W. SALEM	WAYNE	2/10/2020
43	Cindy Shadley	CINDY SHADLEY	159 E BUCKEYES	W. SALEM	WAYNE	2-10-2020
44	Grace Bechtel	GRACE BECHTEL	9022 CEDAR VALLEY RD	W. SALEM	WAYNE	2-10-2020
45	JACOB E BECHTEL	JACOB E BECHTEL	9022 CEDAR VALLEY RD	WEST SALEM, WAYNE		2/10/2020
46	Rita Wenger	Rita Wenger	5789 Bates Rd	W. SALEM		2/11/2020
47	Stephen Schaad	Stephen Schaad	128 West Congress	Polk	Ashland	2-12-2020
48	Beth Schaad	Beth Schaad				
49	Wendy Taylor	Wendy Taylor	8818 Lattasburg Rd	West Salem	Wayne	2/13/2020
50	Donna Riley	DONNA RILEY	656 US 224	Sullivan	Ashland	2/13/2020

WHOEVER COMMITS ELECTION FALSIFICATION IS GUILTY OF A FELONY OF THE FIFTH DEGREE

Must be completed by the circulator.

I \_\_\_\_\_, declare under penalty of election falsification that I reside at the address appearing below my signature; that I am the circulator of the foregoing petition containing \_\_\_\_\_ (number) signatures; that I witnessed the affixing of every signature; that all signers were to the best of my knowledge and belief, qualified to sign; and that every signature is to the best of my knowledge and belief the signature of the person whose signature it purports to be or of any attorney in fact acting pursuant to section 3501.382 of the Ohio Revised Code.

Printed Name of Circulator

Signature of Circulator

Permanent Address of Circulator

City / State / Zip of Circulator