

## Top 10 Reasons Why Our Slow Moving Vehicle Laws Need to Change

- ① For everyone's safety we are not only putting us at risk but also the general public
  - ② In 2019 we cost the insurance companies several million dollars that could probably have been avoided with a flashing light.
  - ③ If we had to pay that much damage because the public didn't follow the law we would ask for a change immediately.
  - ④ It is not against our religion to have a flashing light as we use them for other purposes every day.
  - ⑤ The people that are negative about changing the laws that you hear from make up about 1% of our population in our group.
  - ⑥ A large part of our group including our safety committee want a change but fear to voice their opinion.
  - ⑦ The public roads are not ours and we should follow the laws or stay off the roads
  - ⑧ If we ask our leaders why we don't put a flashing light on our slow moving vehicles they say the law is not requiring us to put a flashing light on and they do not have a religious reason that makes sense to most of us. that is why the law needs to be enforced.
  - ⑨ You are not asking for something that we don't already have.
  - ⑩ A large part of our group including our safety committee would support the above except of the fear from a small group of people
- the above is written by an amish church member not an outside person

Hello Dear Leadership of Ohio State 03-1-21

I want to thank you for your willingness to try and come up with a solution to the roadway safety issues within the English and Amish communities. This has been a concern to me over the past years. I know this is a sense of fear within the English community when it comes to being on the roadway with the buggies and the safety concerns that arise. As an Amish Bishop, I am willing to work with both parties to try and come up with something to make our buggies as visible as we can for safety purposes. I think we need to do what is best on both sides of the equation - Amish and English alike. I always have a fear when we get on the road with a whole family with horse and buggy but thank God who was watching over my family over the past years. I would be willing to put a small battery-operated washer on our buggies which I think would be a huge help for both parties, English and Amish.

In The Summer of 2019 I was brought To  
3 car and buggy Accidents and it was  
terrible To see how both Side had To  
suffer From The Accidents. Amish and English  
I Think we need To Take This very  
serious and pray For Gods help on This  
subject. I am aware of a lot of disconnect  
in The Amish Community. So bare with  
us and I hope you can come up with a  
solution That will help both parties.  
Thanks For being Patient with us over The  
past years

This was written out of Love From a Concern  
Bishop From Ohio

CONCERNING The SWARTZENTRUBER  
Amish Buggies ON The Public Roads  
we AS members OF The above  
said church have seen a LOT OF  
car AND Buggy Crashes Through out  
The STATE OF OHIO IN The LAST  
couple years. MANY Love ones AND  
Friends were injured OR Killed ON  
The Public roads, we AS members OF  
The church would like The STATE TO  
improve our SAFTY IN some way.  
For The Buggy driverer AS well AS  
The car driver which BOTH are  
OFTEN innocent people who would  
like To see improvement IN Lighting  
ON our Buggies.

we ALSO HOPE That The Law does  
NOT BLAME the members OF The  
church For NOT Having MORE SAFTY  
LIGHTS ON our Buggies, ~~AS~~ AS a  
rule, church members do NOT Have  
a vote IN such MATTERS, IT IS  
UP TO the Bishops what they

WANT AND The member will have  
To apply even if the Law does  
NOT PERMIT IT.

Our hope is that the Law  
does NOT press charges against  
the members of the church that  
are innocent, Because these members  
can NOT put more lighting on  
their Buggies unless our Bishop  
tell us.

For us younger members it seems  
very SCARY to drive on the public  
road in the dark with only dim  
lighting which motorized vehicle  
hardly see AT ALL.

we do NOT wish to see our  
rights to be TAKEN ON THE  
Public roads, BUT we WANT SAFTY  
For ALL parties

To God we PRAY For our Government.

AMEN.

## Do People Get Hurt Or Killed

Yes a few of my friends have been killed, and many hurt. Including me and my Parents. That's not it, the English have to live with that feeling to have hit someone. I am very sorry for that. Most of this could have been prevented, including my accident by one simple step, stroke light..

## Insurance for us

So if you hit me, kill the horse and total the buggy and I'm hurt. Even though you could not see me. But I had a lantern and 70" reflector tape, and it was raining and hard to see, you get the ticket. My buggy was 20yrs. old, the horse 12 yrs. old. Now the insurance pays for a new buggy and a young horse plus medical bills. Remember I said horse and buggy were old. Now all new. Is that right? I never paid any insurance. Now we, the Amish get everything we can. We have cause the insurance Co. Millions of dollars over the years. Plus lots of grieving people, English and Amish. These are a few of my points. And I don't want to cause a problem of any kind. I just wish something could be worked out for both sides in peace

In Kind Regards

Hello My Friends

Who Am I Just a plain Swartzentruber Amish man with a family with the least amount of reflecters and lighting on My buggy.

What are My Concerns

on road safty for you and me. I never want to be hit again. And you never want to hit someone.

My Experience

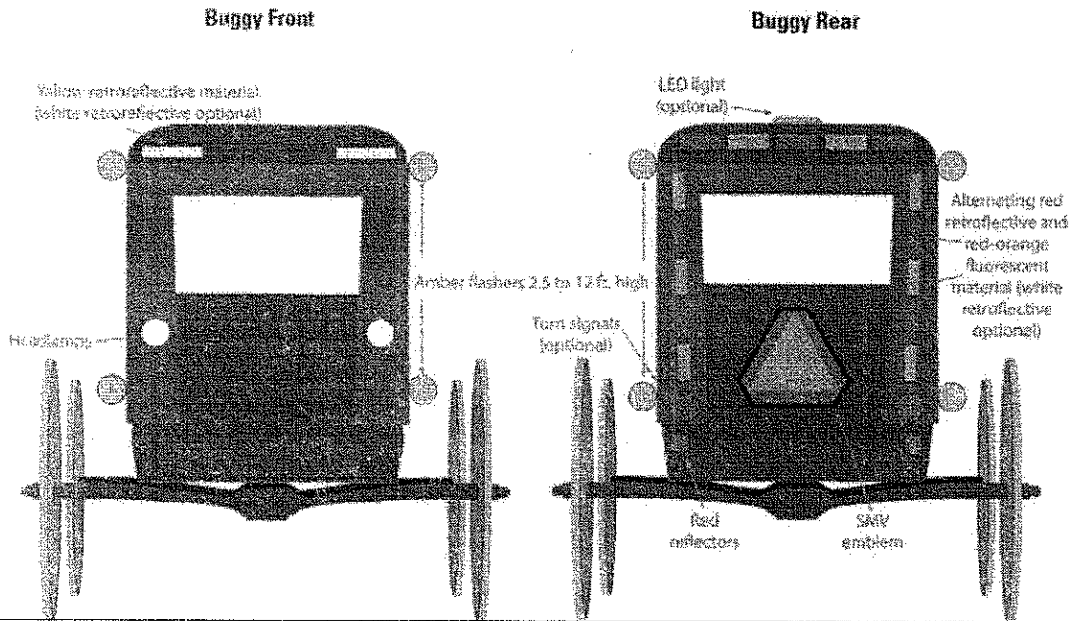
I've been hit twice. The first time was from a young boy. He looked down to adjust his channel. The last time was from a good old guy in day light. I was in the shade. The buggy was black and the rogg, was also black with a fresh rain. I was almost invisible. Since that I have a big fear to be on the road. Because we are at times almost invisible

Is there more traffic on the Road?

Yes a lot more traffic. Back in the day when the law was passed (which we have now), there was very little traffic compare to now days. And we still have only one lantern and 72" reflecter tape on the back, plus some up front, many years later!

# Petition to Increase Buggy Safety

We, the undersigned, qualified electors of Ohio, respectfully petition the State of Ohio to change and increase buggy safety laws, to mandate lighting and reflection markings on animal-drawn vehicles, including buggies and wagons, and to require participation without exception because of the over-riding need to increase safety for all.



Signature	Printed Name	Voting Residence Street Address	City or Village	County	Date
<i>John J. Smith</i>	John J. Smith	1234 Main	Wooster	Wayne	5/15/18
<i>Denise Ch...</i>	Denise Ch...	1234 7415 Funk	Shreve	Wayne	2/5/20
<i>Joshua Miller</i>	JOSHUA MILLER	320 DEERCREST ST. RETTMAN, OH	RETTMAN	WAYNE	2/5/20
<i>Peggy Bragg</i>	Peggy Bragg	1834 Cloverdale St	Orrville	Wayne	2/6/20
<i>Elaine Troyer</i>	Elaine Troyer	8385 S. Elyria Rd.	Shreve	Wayne	2/7/2020
<i>Twila Geiser</i>	Twila Geiser	1618 Myers	Wooster	Wayne	2/7/2020
<i>Kerth A. Harstler</i>	Kerth A. Harstler	182 E. KARD RD	DARTON	WAYNE	2/7/2020
<i>Danielle Howell</i>	Danielle Howell	107 Spruce Dr.	Creston	Wayne	2/7/2020
<i>Aaron Howell</i>	Aaron Howell	107 Spruce Dr.	Creston	Wayne	2/7/2020
<i>Wm. F. Danner</i>	Wm. F. Danner	350 Wald Av.	Wooster	Wayne	2/7/2020
<i>Diane Bostancic</i>	Diane Bostancic	2295 Tatum Ln	Wooster	Wayne	2/7/2020
<i>Bill B. Bostancic</i>	Bill Bostancic	2295 Tatum Ln	Wooster	Wayne	2-7-2020
<i>Cassandra Hutter</i>	Cassandra Hutter	238 Coulter St.	Creston	Wayne	2-7-20
<i>Alicia Hewitt</i>	Alicia Hewitt	3949 Buss Rd	Wooster	Wayne	2-7-20
<i>Jordan Hewitt</i>	Jordan Hewitt	3949 Buss Rd.	Wooster	Wayne	2-7-20
<i>Bob Anderson</i>	Bob Anderson	3949 Buss Rd	Wooster	Wayne	2-9-20
<i>Susan T. Lang</i>	Susan T. Lang	3038 Canal Rd	..	..	2-10-20
<i>Kelly Rhodes</i>	Kelly Rhodes	3019 Millersburg Rd	Wooster	Wayne	2-10-2020
<i>Ronda Alexander</i>	Ronda Alexander	3071 McAfee Rd	Wooster	Wayne	2-10-2020
<i>Darlene Cassidy</i>	DARLENE CASSIDY	4561 Melissa Dr.	Wooster	Wayne	2-10-2020
<i>Dale Knobe</i>	Dale Knobe	2529 Monterey St.	Wooster	Wayne	2-10-20
<i>Dwayne Anderson</i>	DWAYNE ANDERSON	6095 ELY RD	WOOSTER	WAYNE	2-10-20

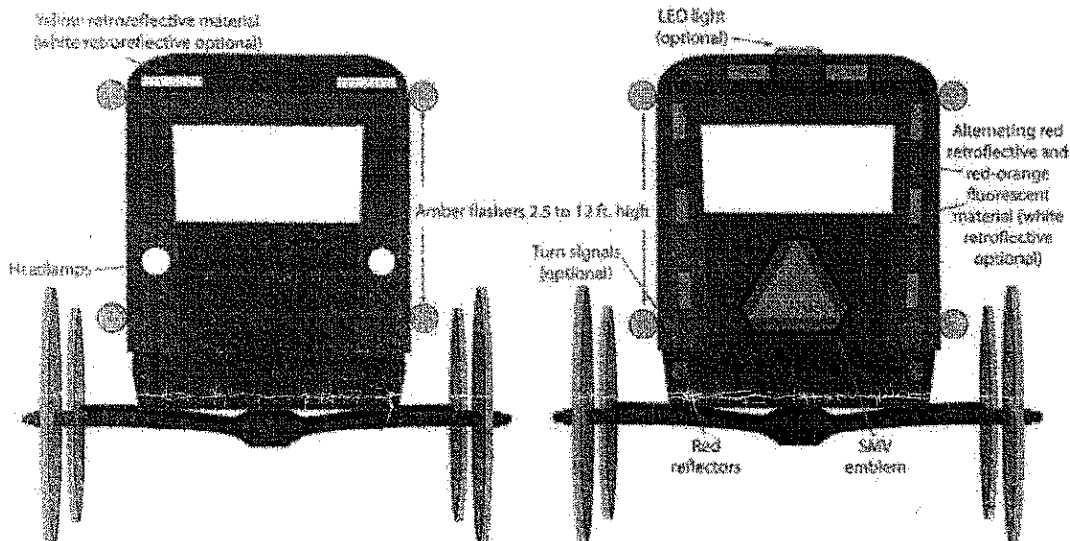


# Petition to Increase Buggy Safety

We, the undersigned, qualified electors of Ohio, respectfully petition the State of Ohio to change and increase buggy safety laws, to mandate lighting and reflection markings on animal-drawn vehicles, including buggies and wagons, and to require participation without exception because of the over-riding need to increase safety for all.

Buggy Front

Buggy Rear



Signature	Printed Name	Voting Residence Street Address	City or Village	County	Date
<sup>1</sup> John J. Smith	John J. Smith	1234 Main	Wooster	Wayne	5/15/18
<sup>2</sup> Sherrie Byler	Sherrie Byler	1711 E Moreland Rd	Wooster	Wayne	2-16-20
<sup>3</sup> Atlee Byler	Atlee Byler	1711 E Moreland rd	wooster	wayne	2-16-20
<sup>4</sup> <del>Mark Paulin</del> David yoder	David yoder	1010 W. Market St	Brrville	wayne	2-18-20
<sup>5</sup> Roberta Burr	Roberta Burr	2531 Stahr Ln	Wooster	Wayne	2-18-20
<sup>6</sup> Sue Ann Adams	SUE ANN ADAMS	2327 W. HONEYTOWN	WOOSTER	WAYNE	2-19-20
<sup>7</sup> Don Adams	DON ADAMS	2327 W. HONEYTOWN	WOOSTER	WAYNE	2-19-20
<sup>8</sup> Monica Drown	MONICA DROWN	3101 VALLEY RD	WOOSTER	WAYNE	2-20-20
<sup>9</sup> Sandra K. Wenger	Sandra K. Wenger	111 Briarwood Dr.	Dalton	Wayne	2-20-20
<sup>10</sup> Doug Paulin	Doug Paulin	322 C.R. 30A	Jeromasville	Ashland	2-20-20
<sup>11</sup> Virginia Ogden	Virginia Ogden	2871 D Shreve Rd	Wooster	Wayne	2-21-20
<sup>12</sup> <del>Charity Weaver</del> Charity Haves	Charity Haves	1035 brookside dr.	WOO.	Wayne	2-21-20
<sup>13</sup> Kathie Franks	KATHIE FRANKS	13190 Top 1037	BIG PRAIRIE	HOLMES	2-22-20
<sup>14</sup> John Neer	JOHN NEER	5089 TR 339	MILLERSBURGH	HOLMES	2-22-20
<sup>15</sup> Ron Wright	Ron Wright	6199 West West Salon P.	Bucbank	WAYNE	2-23-20
<sup>16</sup> <del>Mark Paulin</del> Matt Ogden	Matt Ogden	3857 Pleasant run	wooster	Wayne	2/23/20
<sup>17</sup> Beth Mast	Beth Mast	6501 Chippewa Rd.	Orville	Wayne	2/22/20
<sup>18</sup> Dandy Weaver	Dandy Weaver	2228 Strasburg Rd	Strasburg	TUSC.	2/28/2020
<sup>19</sup> <del>Lisa Turley</del> Lisa Turley	Lisa Turley	9208 Strasburg - Bolivar	Strasburg	Tusc.	2/28/2020
<sup>20</sup> Linda Clark	LINDA CLARK	1515 W TOLBERT RD	WOOSTER	WAYNE	2/29/2020
<sup>21</sup> Rita Lower	Rita Lower	501 S. David Ave	Smithville	Wayne	2/29/2020
<sup>22</sup> Mark McElly	MARK McELLY	1400 Spring Hill Dr	Orville	Wayne Ohio	2/29/2020

23.	<i>A. E. Brennan</i>	<i>Amy E. Brennan</i>	<i>397 N. Main</i>	<i>Shreve</i>	<i>Wayne</i>	<i>2/11/2020</i>
24.	<i>Rachael Gorey</i>	<i>RACHAEL GOREY</i>	<i>949 McKinley St</i>	<i>WOOSTER</i>	<i>Wayne</i>	<i>2/29/2020</i>
25.						
26.						
27.						
28.						
29.						
30.						
31.						
32.						
33.						
34.						
35.						
36.						
37.						
38.						
39.						
40.						
41.						
42.						
43.						
44.						
45.						
46.						
47.						
48.						
49.						
50.						

**WHOEVER COMMITS ELECTION FALSIFICATION IS GUILTY OF A FELONY OF THE FIFTH DEGREE**

*Must be completed by the circulator.*

I \_\_\_\_\_, declare under penalty of election falsification that I reside at the address appearing below my signature; that I am the circulator of the foregoing petition containing \_\_\_\_\_ (number) signatures; that I witnessed the affixing of every signature; that all signers were to the best of my knowledge and belief, qualified to sign; and that every signature is to the best of my knowledge and belief the signature of the person whose signature it purports to be or of any attorney in fact acting pursuant to section 3501.382 of the Ohio Revised Code.

\_\_\_\_\_  
Printed Name of Circulator

\_\_\_\_\_  
Signature of Circulator

\_\_\_\_\_  
Permanent Address of Circulator

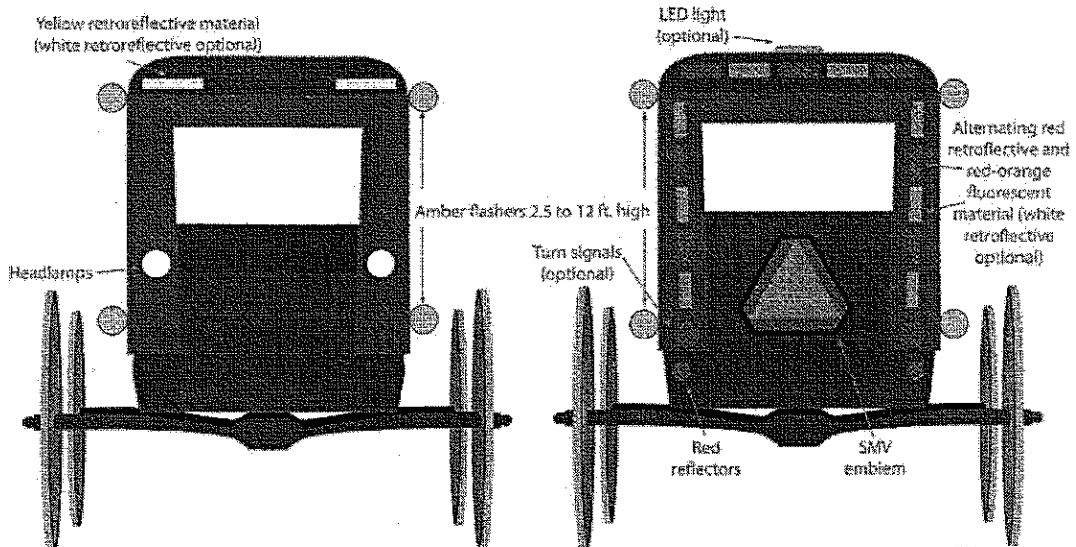
\_\_\_\_\_  
City / State/ Zip of Circulator

# Petition to Increase Buggy Safety

We, the undersigned, qualified electors of Ohio, respectfully petition the State of Ohio to change and increase buggy safety laws, to mandate lighting and reflection markings on animal-drawn vehicles, including buggies and wagons, and to require participation without exception because of the over-riding need to increase safety for all.

**Buggy Front**

**Buggy Rear**



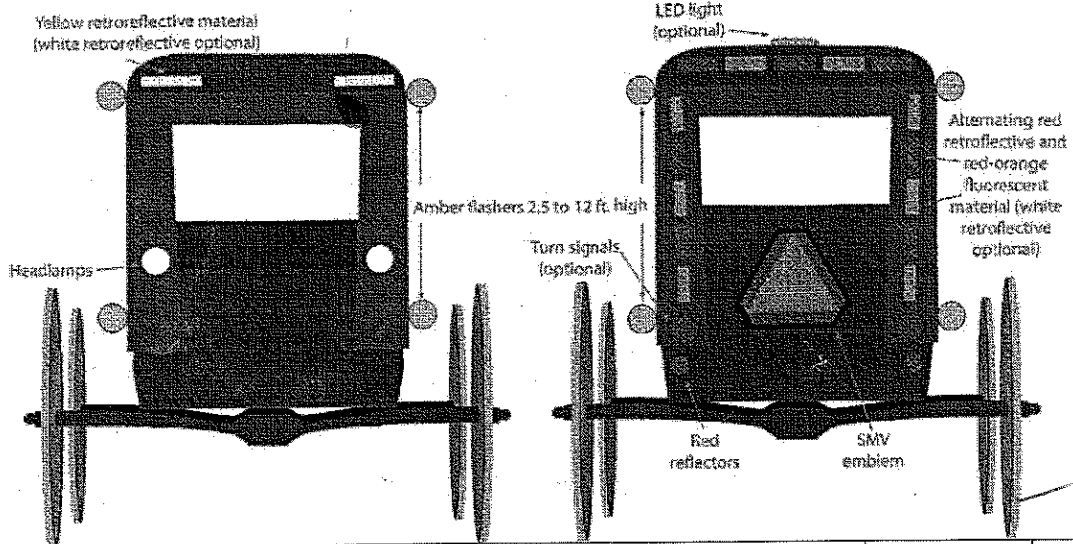
Signature	Printed Name	Voting Residence Street Address	City or Village	County	Date
1. <i>John J. Smith</i>	John J. Smith	1234 Main			5/15/18
2. <i>Jamie Imhoff</i>	Jamie Imhoff	8080 Myers Rd.	West Salem	Wayne	4/29/20
3. <i>William K Henry</i>	WILLIAM K HENRY	322 US Hwy 42	Park	ASHLAND	1-29-20
4. <i>Cathie Franks</i>	Cathie Franks	911 Twp Rd 713	Ashland	Ashland	2-4-2020
5. <i>Jeffrey N. Layton</i>	Jeffrey N. Layton	9915 Wohlgamuth	West Salem	Wayne	2/4/2020
6. <i>Jonathan O Wollert</i>	Jonathan O Wollert	8922 MATTERD	West Salem	WAYNE	2/4/2020
7. <i>Jim Bowers</i>	JIM BOWERS	348 N. FIRESTONE	WOOSTER	WAYNE	2-13-20
8. <i>Traci O'Hearn</i>	Traci O'Hearn	1886 Edwards Dr.	Wooster	Wayne	2-13-20
9. <i>Paul G Hesse</i>	PAUL G HESSE	424 INDUSTRIAL	WOOSTER	Wayne	2-13-20
10. <i>Joshua S. Marang</i>	Joshua S. Marang	7359 S Elyria Rd	Shreve	Wayne	2-13-20
11. <i>Tony Powers</i>	Tony Powers	10818 McQuade Rd	ORRVILLE	Wayne	2-13-20
12. <i>Jim Swartz</i>	Jim Swartz	6705 S Jefferson Rd	Shreve	Wayne	2-13-20
13. <i>Robert Swartz</i>	Robert Swartz	6205 S Jefferson Rd	Shreve	Wayne	2-13-20
14. <i>Ray Ginter</i>	Ray Ginter	118 S Firestone Rd	Wooster	Wayne	2-13-20
15. <i>Dwane L. Smith</i>	DWANE L. SMITH	1056 MINDY LN.	WOOSTER	WAYNE	2-13-20
16. <i>Robert Atkins</i>	ROBERT ATKINS	4084 Shevella	WOOSTER	WAYNE	2-13-20
17. <i>Laura Stalwick</i>	Laura Stalwick	115 SPINKS ST	Wooster	WAYNE	2-13-20
18. <i>Judy Bowers</i>	Judy Bowers	348 N. Firestone	Wooster	Wayne	2-13-20
19. <i>Mike Chirton</i>	MIKE CHIRTON	203 W. Liberty St	WOOSTER	WAYNE	2-14-2020
20. <i>Chris Archa</i>	Chris Archa	1212 N. Beaver	wooster	Wayne	2-14-20
21. <i>Randy Bowers</i>	Randy Bowers	455 N. Firestone Rd	Wooster	Wayne	2-14-20
22.					

# Petition to Increase Buggy Safety

We, the undersigned, qualified electors of Ohio, respectfully petition the State of Ohio to change and increase buggy safety laws, to mandate lighting and reflection markings on animal-drawn vehicles, including buggies and wagons, and to require participation without exception because of the over-riding need to increase safety for all.

Buggy Front

Buggy Rear



Signature	Printed Name	Voting Residence Street Address	City or Village	County	Date
<i>John J. Smith</i>	John J. Smith	1234 Main			5/15/18
<i>Roger Parsons</i>	ROGER PARSONS	187 CR 620	West Salem	Ash	2/1/2020
<i>Alfred Hughes</i>	ALFRED HUGHES	107 TW PRD 816 <sup>LOT 27</sup>	W. SALEM	ASH	2-1-2020
<i>Rebecca Moeck</i>	Rebecca Moeck	41 W. West Salem Rd.	West Salem	Wayne	2/1/20
<i>Mike Imhoff</i>	Mike Imhoff	980 Hwy Rd 21	POLK OH	ASHLAND	2-1-20
<i>Rita Shankel</i>	Rita Shankel	West Salem			2-1-20
<i>Daniel L Shankel</i>	Daniel L Shankel	West Salem			2-1-20
<i>Tommy Adams</i>	Tommy Adams	4194 Cinnamon Dr	West Salem	Ashland	2-1-20
<i>Candyn Miller</i>	Candyn Miller	West Salem		Ashland	2-1-20
<i>Road Right</i>	Road Right	West Salem			2/2/20
<i>Dan Brandt</i>	Dan Brandt	102 Highland	ashland	ashland	2/2/2020
<i>Dan Brandt</i>	Dan Brandt	6701 RIDGEVIEW <sup>LOT 11</sup>	NORTHRIDGE	LOKIN	2/2/2020
<i>Imker Juskow</i>	Imker Juskow	410 Mill Ln	Spencer	Medina	2/2/2020
<i>Karen G. Leonetti</i>	Karen G. Leonetti	7344 ST. R. ST. <sup>35</sup> ASHLAND OH 4482	ASHLAND	ASHLAND	2/2/2020
<i>Kayla Hill</i>	Kayla Hill	2340 Cardinal Court WOOSTER Ohio	Wayne		2/2/2020
<i>Jon Shadley</i>	Jon Shadley	158 E. Parkway <sup>WEST SALEM</sup>	Wayne		2/2/20
<i>Terrie Beck</i>	Terrie Beck	710 Bank Street <sup>LOCK MEDINA</sup>	Medina	Medina	2/5/20
<i>Tammie Metzger</i>	Tammie Metzger	360 S. Main St <sup>LOT 5</sup>	West Salem	OH	2/4-20
<i>Linda Johnston</i>	Linda Johnston	1346 St Rt 89	Ashland	Ashland	2-4-20
<i>TAMMY COGAN</i>	TAMMY COGAN	2356 Reelay	West Salem		2-4-20

25	Jaron William	David William	1016 Tup Rd 133	W. Salem	Ashland	
26	Carl Medure	Carl Medure	9650 Ruff Rd	W. Salem	Wayne	2/6/2020
	Kim Hill	Kim Hill	West Salem	→		2-6-20
27	Courtney Hill	Courtney Hill	Congress	Congress	Wayne	2-7-20
28	Nicholas A Thomas	Nicholas A Thomas	Home Twp	W. Salem	Medina	2-7-2020
29	Melissa Morr	Melissa Morr	302 Greeley St	W. Salem	Wayne	2-7-2020
30	Brian Burtov	Suzanne Burtov	58 St. Rt. 42	W. Salem	Ashland	2-7-2020
31	Bill Gordon		12777 Joffrey	W. Salem	Medina	2/7/2020
32	Delice Kane	Delice A Kane	407 Tup Rd 581	Sullivan	Ashland	2-7-2020
33	Robert Kane	Robert L. Kane	407 Tup Rd 581	Sullivan	Ashland	2/7/2020
34	TERAN FITZPATRICK		1345 TWP RD 53	ASHLAND	ASHLAND	2/7/2020
35	Grace Blankenship	Grace Blankenship	344 Congress Street	W. Salem	Wayne	2/7/2020
36	Pete Rittle	Pete Rittle	607 T. Rd 101	W. Salem	Ashland	2-7-20
37	Jeanette Riffle	Jeanette Riffle	617 Tup. Rd. 101	W. Salem	Ashland	2-7-2020
38			5144 W. EARTH RD.	W. Salem	Wayne	2-7-2020
39	Peth Dorsey	Peth Dorsey	572 Twp Rd 101	W. Salem	Ashland	2-7-2020
40	ROBERT FERRELL		76 CENTENNIAL	W. SALEM	WAYNE	2-8-2020
41	Sue Schaad	Sue Schaad	11094 W. W. SALEM RD	W. Salem	Wayne	2/10/2020
42	Bill Schaad	Bill Schaad	11094 W. W. SALEM RD	W. Salem	Wayne	2/10/2020
43	Cindy Shadley	CINDY SHADLEY	159 E BUCKEYES	W. Salem	Wayne	2-10-2020
44	Grace Bechtel	GRACE BECHTEL	9022 Cedar Valley Rd	W. Salem	Wayne	2-10-2020
45	JACOB E BECHTEL	JACOB E. BECHTEL	9022 CEDAR VALLEY RD	WEST SALEM, WAYNE		2/10/2020
46	Rita Wenger	Rita Wenger	5789 Bates Rd	W. Salem		2/11/2020
47	Stephen Schaad	Stephen Schaad	128 West Congress	Polk	Ashland	2-12-2020
48	Beth Schaad	Beth Schaad				
49	Wendy Taylor	Wendy Taylor	8818 Lattasburg Rd.	West Salem	Wayne	2/13/2020
50	Donna Riley	DONNA RILEY	656 US 224	Sullivan	Ashland	2/13/2020

WHOEVER COMMITS ELECTION FALSIFICATION IS GUILTY OF A FELONY OF THE FIFTH DEGREE

Must be completed by the circulator.

I \_\_\_\_\_, declare under penalty of election falsification that I reside at the address appearing below my signature; that I am the circulator of the foregoing petition containing \_\_\_\_\_ (number) signatures; that I witnessed the affixing of every signature; that all signers were to the best of my knowledge and belief, qualified to sign; and that every signature is to the best of my knowledge and belief the signature of the person whose signature it purports to be or of any attorney in fact acting pursuant to section 3501.382 of the Ohio Revised Code.

Printed Name of Circulator

Signature of Circulator

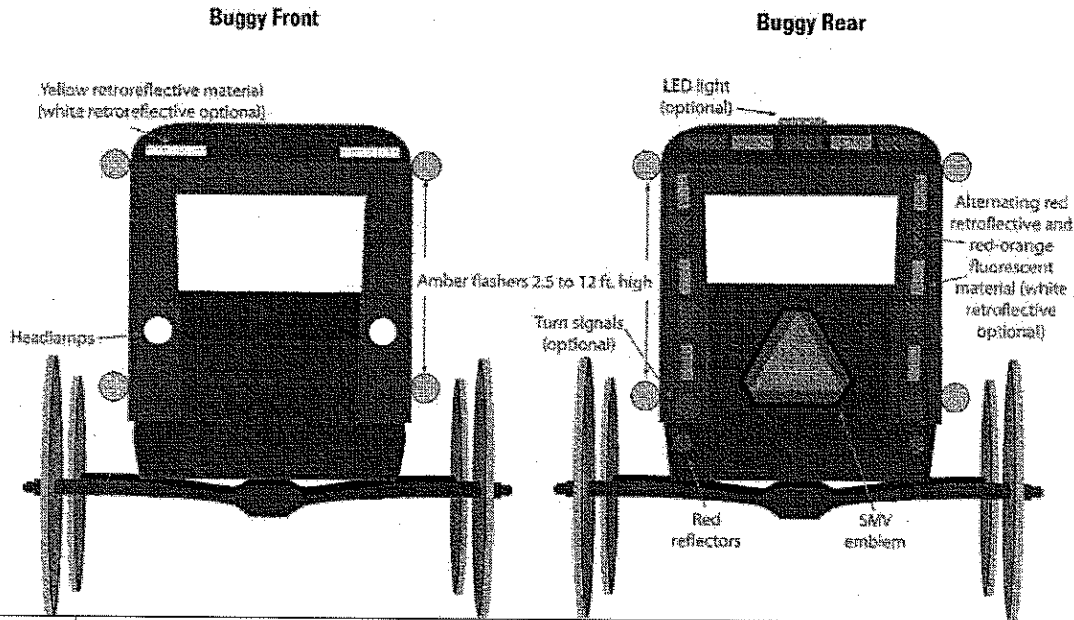
Permanent Address of Circulator

City / State / Zip of Circulator



# Petition to Increase Buggy Safety

We, the undersigned, qualified electors of Ohio, respectfully petition the State of Ohio to change and increase buggy safety laws, to mandate lighting and reflection markings on animal-drawn vehicles, including buggies and wagons, and to require participation without exception because of the over-riding need to increase safety for all.



Signature	Printed Name	Voting Residence Street Address	City or Village	County	Date
1. <i>John J. Smith</i>	John J. Smith	1234 Main			5/15/18
2. <i>Larry R. Lytle</i>	Larry R. Lytle				
3. <i>Stephen P. Swaco</i>	STEPHEN P. SWACO	112 Grove St	Lodi	MEDINA	01-29-2020
4. <i>Robert Kinney</i>	ROBERT KINNEY		Lodi	"	"
5. <i>Chrystal Hill</i>	Chrystal Hill		Congress	Wayne	1-28-2020
6. <i>Karen Shuck</i>	KAREN SHUCK	45 ST. RT. 42	POLK	ASHLAND	1-29-2020
7. <i>Michael Shuck</i>	MICHAEL SHUCK	ST RT 42	POLK	ASHLAND	1-29-2020
8. <i>Ron Kline</i>	Ron Kline	10281 Wilkey Rd	West Salem	Wayne	1-29-2020
9. <i>Jolene Westor</i>	Jolene Westor	9929 W. W. Salem Rd	W. Salem	Wayne	1-29-2020
10. <i>Tom Shaw</i>	Tom Shaw	9943 W. P.H. Home Rd	W. Salem	Wayne	1-29-2020
11. <i>Rebecca Hill</i>	Rebecca Hill	101 Rose 11a	W. Salem	Wayne	1-28-2020
12. <i>Dane Spittler</i>	Dane Spittler	9680 N. Flycatcher Rd	Pleasant Home	Wayne	1-28-20
13. <del>XXXXXXXXXX</del>	Melvin Mark	1274 Top 13	West Salem	Ashland	1-29-20
14. <i>Courtney Smith</i>	Courtney Smith	10850 Franchester Rd	West Salem	Wayne	1-28-20
15. <i>Donald R. Westor</i>	Donald R. Westor	9909 W. West Salem Ad.	West Salem	Wayne	1-28-20
16. <i>William E. Tamper</i>	William E. Tamper	63 CENTENNIAL DR	West Salem	Wayne	1-28-20
17. <i>Sonja Duncan</i>	Sonja Duncan	10790 Franchester Rd	W. Salem	Wayne	1/29/20
18. <i>Cathy Hill</i>	Cathy Hill	10850 Fran ches ter	W. Salem	Wayne	1-29-2020
19. <i>Claude Hill</i>	Claude Hill	10850 Fran ches ter	W. Salem	Wayne	1-29-2020
20. <i>Stanley Holmes</i>	Stanley Holmes	7438 Pleasant Home Rd	W. Salem	Wayne	1-29-2020
21. <i>Dustin Guenther</i>	DUSTIN GUENTHER	9938 W. PLEASANT HOME RD	W. SALEM	OH WAYNE	1-29-2020
22. <i>Ike Ramsey</i>	IKE RAMSEY		W. Salem	WAYNE	1-29-2020



23.	<i>Donald Frye</i>	DONALD FRYE	3405 MAIN ST COTUIT	WEST SALEM	WAYNE	1/29/2020
24.	<i>Tyler Walter</i>	Tyler Walter	186 South Main	W. Salem	Wayne	1/29/20
25.	<i>Gerald Dunlan</i>	Gerald Dunlan	10790 Frankester rd	W. Salem	Wayne	1/29/20
26.	<i>Douglas Lonsbury</i>	DOUGLAS LONSBURY	58 EAST PUCKEYE	W SALEM	WAYNE	1-29-20
27.	<i>Karla Kollert</i>	KARLA J. KOLLERT	60 BELLE AVE	W. SALEM	WAYNE	1/29/20
28.	<i>Matthew Kollert</i>	Matthew Kollert	60 Belle Ave	W. SALEM	WAYNE	1/29/20
29.	<i>Mindy Leaver</i>	Mindy Leaver	125 S. Maple St	W. Salem	Wayne	1-29-20
30.	<del><i>David Weber</i></del>					
31.	<i>David Weber</i>	David Weber	125 S Maple St	W. Salem	Wayne	1-29-20
32.	<i>Noah Duncan</i>	Noah Duncan	10790 Frankester rd	W. Salem	Wayne	1/29/20
33.	<i>Betty Havel</i>	BETTY HAVEL	11290 Black River School Rd	HOMER	MEDINA	1-30-20
34.	<i>Allan Havel</i>	ALLAN HAVEL	11290 Black River School Rd	HOMER	MEDINA	1-30-20
35.	<i>Patrick R. Poththorst</i>	Patrick R Poththorst	1937 Elamwood Ave Cott Ashland 49908	ASHLAND	ASHLAND SULLY	1-30-20
36.	<i>Staci Gierger</i>		22 Chestnut St	WEST SALEM	Wayne	1-29-20
37.	<i>Kimbrly J. Junc</i>	Kimbrly J. Junc	12340 Wound Rd	Homer -	Medina	1-29-20
38.	<i>Josh Piskoc</i>	JOSH PISKOC	12340 Wound Rd	HOMERVILLE	Medina	1-29-20
39.	<i>Lisa Waid</i>	LISA WAID	5471 LANCE Rd	Medina	Medina	1/30/20
40.	<i>Ed + Mollie Whitby</i>	Ed + Mollie Whitby	apt 15, 63 Centennial Dr.	W. Salem	Wayne	1/30/2020
41.	<i>Jason Lynch</i>	Jason Lynch	87 N. Main St	West Salem	Wayne	1-30-2020
42.	<i>CARRY PRAISER</i>	CARRY PRAISER	6647 UP 851	ASHLAND	ASHLAND	1-31-2020
43.	<i>Joseph M Regan</i>	Joseph M Regan	996 Twp Rd 53	W. Salem	Ashland	1-31-2020
44.	<i>Jerry Tokun</i>	Jerry Tokun	11296 Chattahoochee	SPENCER OH		July 26 2008
45.	<i>BRIAN STOVER</i>	BRIAN STOVER	9977 LAFFAYETTE	WEST SALEM		1-31-20
46.	<i>Arnta Martin</i>	Arnta Martin	2180 Mans. ch	4490 J	RICHLAND	1-31-2020
47.	<i>BONNIE HUNTER</i>	BONNIE HUNTER	327 GREELEYS	West Salem	Wayne	1-31-2020
48.	<i>MARTY BOEHM</i>	MARTY BOEHM	1304 LAUREL DR	W. SALEM	WAYNE	1-31-2020
49.	<i>DOUG HOFF</i>	DOUG HOFF	1081 TWP RD 803	Ashland	Ashland	1-31-20
50.	<i>RITTY LEAVER</i>	RITTY LEAVER	10910 Fran Chester	WEST SALEM	Wayne	1-31-20

**WHOEVER COMMITS ELECTION FALSIFICATION IS GUILTY OF A FELONY OF THE FIFTH DEGREE**

Must be completed by the circulator.

I \_\_\_\_\_, declare under penalty of election falsification that I reside at the address appearing below my signature; that I am the circulator of the foregoing petition containing \_\_\_\_\_ (number) signatures; that I witnessed the affixing of every signature; that all signers were to the best of my knowledge and belief, qualified to sign; and that every signature is to the best of my knowledge and belief the signature of the person whose signature it purports to be or of any attorney in fact acting pursuant to section 3501.382 of the Ohio Revised Code.

Printed Name of Circulator

Signature of Circulator

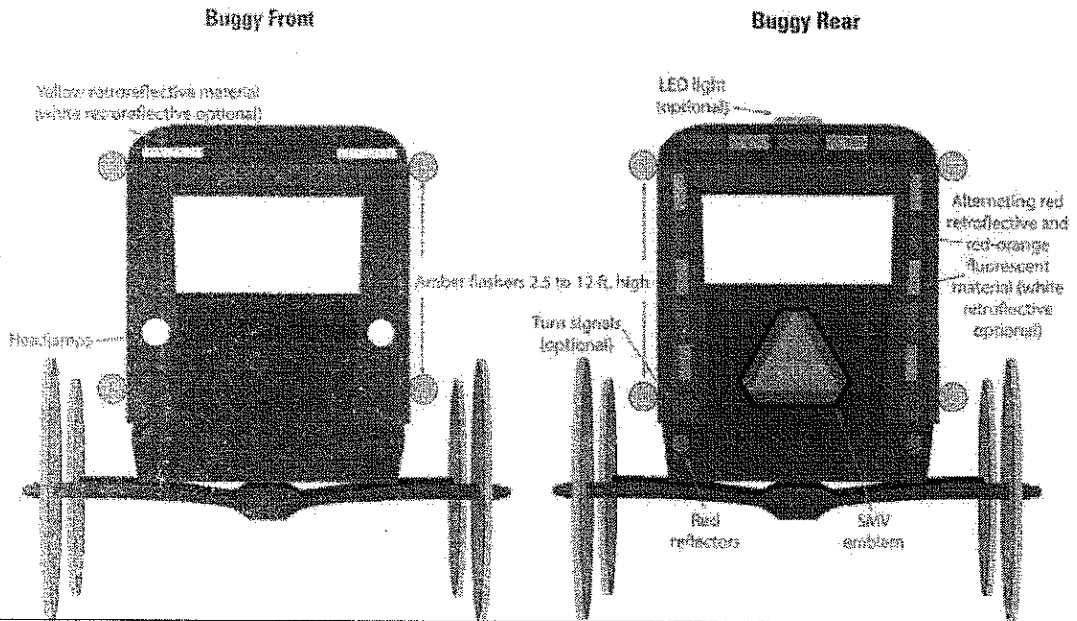
Permanent Address of Circulator

City / State/ Zip of Circulator



# Petition to Increase Buggy Safety

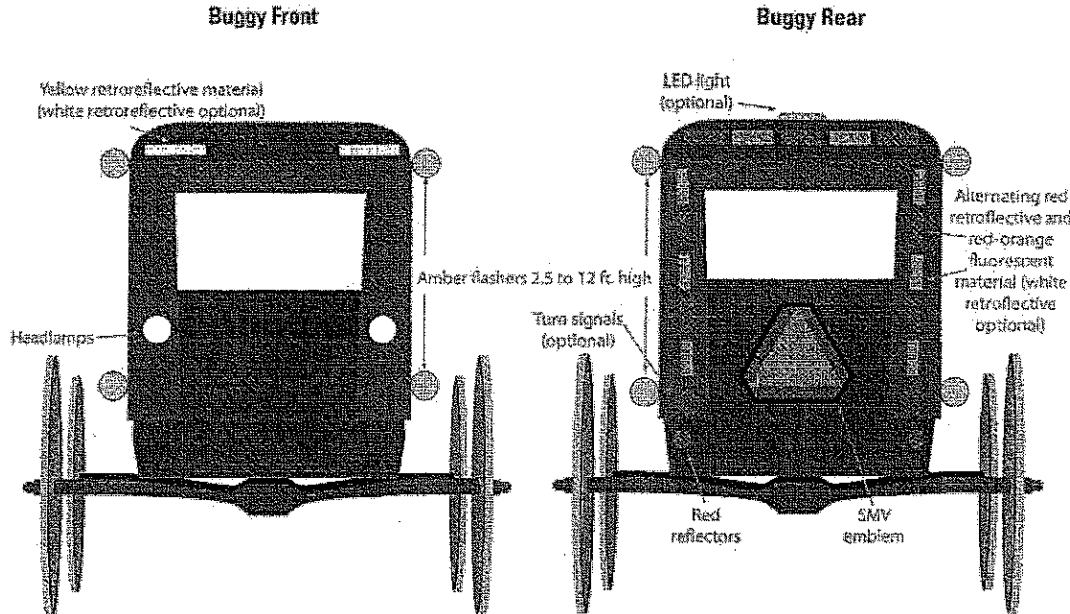
We, the undersigned, qualified electors of Ohio, respectfully petition the State of Ohio to change and increase buggy safety laws, to mandate lighting and reflection markings on animal-drawn vehicles, including buggies and wagons, and to require participation without exception because of the over-riding need to increase safety for all.



Signature	Printed Name	Voting Residence Street Address	City or Village	County	Date
<i>John J. Smith</i>	John J. Smith	1234 Main	Wooster	Wayne	5/15/18
<i>[Signature]</i>	DALE K JAMES	7228 FRED BURGESS RD	FRED BURGESS, OH		2/11/20
<i>[Signature]</i>	Jeff Kendra	707 E. Highland Ave	Wooster	Wayne	2/12/20
<i>[Signature]</i>	Ben Vaughan	661 N. Smyser Rd	Wooster	Wayne	2/12/20
<i>Dick Stull</i>	Dick Stull	2185 S. Elyria	Wooster	Wayne	2-13-20
<i>[Signature]</i>	LEONARD SIRT	1488 S. CLYRIA	WOOSTER	WAYNE	2/13/20
<i>[Signature]</i>	GARY LEVERS	4915 Blockleyville	wooster	wayne	2/13/20
<i>[Signature]</i>	Konnie Weaver	2954 S. Funk Rd.	Wooster	Wayne	2-13-20
<i>[Signature]</i>	Pat Hanza	3313 BAYBERRY COVE	WOOSTER	WAYNE	2-13-20
<i>[Signature]</i>	Larry Gopp	337 Capten Dr	WOOSTER	WAYNE	2-13-20
<i>[Signature]</i>	Blake Henley	2294 S. ELYRIA	WOOSTER	WAYNE	2-13-20
<i>Frank Veres</i>	FRANK VERES	211 Imgaard St	Wooster	WAYNE	2/14/20
<i>Carl Mark</i>	CARL MARK	5852 UJEVIA RD Wooster	WOOSTER	WAYNE	2-14-20
<i>[Signature]</i>	BILL REED	10367 SOMER RD NESSLEM	WOOSTER	WAYNE	2-14-20
<i>[Signature]</i>	Zach Force	4778 McCauley Rd	WOOSTER	WAYNE	2-14-20
<i>Mike Noble</i>	Mike Noble	2300 Stone Ln	Wooster	Wayne	2-14-20
17.					
18.					
19.					
20.					
21.					
22.					

# Petition to Increase Buggy Safety

We, the undersigned, qualified electors of Ohio, respectfully petition the State of Ohio to change and increase buggy safety laws, to mandate lighting and reflection markings on animal-drawn vehicles, including buggies and wagons, and to require participation without exception because of the over-riding need to increase safety for all.



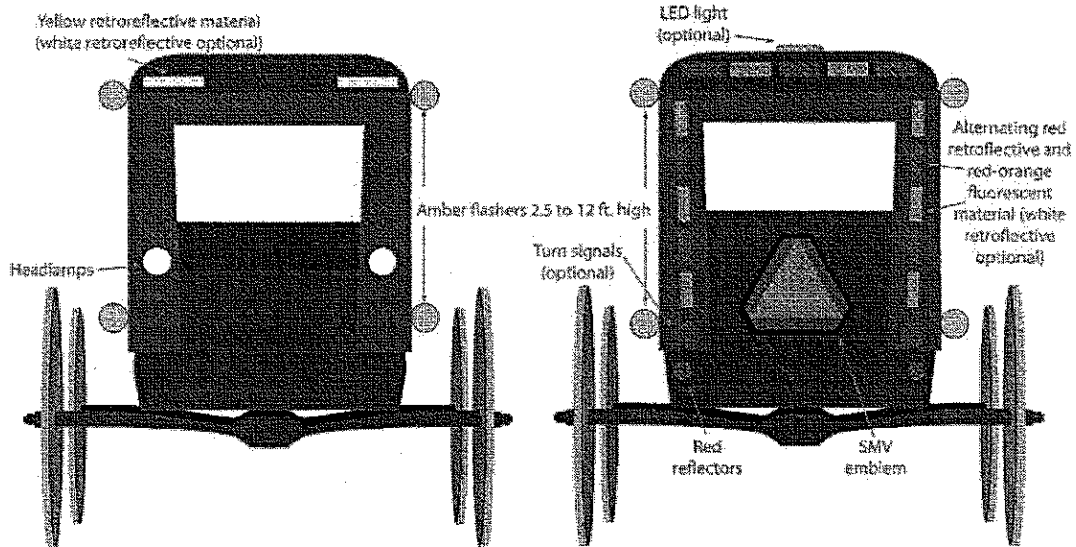
Signature	Printed Name	Voting Residence Street Address	City or Village	County	Date
<i>John J. Smith</i>	John J. Smith	1234 Main	Medina	Medina	5/15/18
<i>Kris Widdows</i>	Kris Widdows	8277 Rice Hill	Burbank	Wayne	02/04/20
<i>Jeff Young</i>	Jeff Young	561 Landings Edge	Elyria	Lorain	02/04/20
<i>Eric McConnell</i>	ERIC McCONNELL	46234 Hughes Rd	Oberlin	Lorain	2/4/20
<i>Dana G. Sustar</i>	DAVA G. SUSTAR	14756 Stouder Rd	Stromsburg	Cuyahoga	2/4/20
<i>Dennis R. Rize</i>	Dennis R. Rize	331 8th St	Elyria	Lorain	2/7/20
<i>Corey Frasier</i>	COREY FRASIER	1744 RA ST	RIVERVIEW	WAYNE	2/10/20
<i>Bruce Jones</i>	BRUCE JONES	1445 FATIMA DR.	PARMA	Cuyahoga	2-18-20
<i>Sandy Mowser</i>	Sandy Mowser	2519 Grafton Rd	Grafton	Lorain	2-18-20
<i>Susan Deyarmin</i>	Susan Deyarmin	706 Top Rd 150	Sullivan	Ashland	2/18/20
<i>Benjamin Smith</i>	BENJAMIN SMITH	39369 BUTTERNUT RD	ELYRIA	LORAIN	2/18/20
<i>Dan Altmeyer</i>	Dan Altmeyer	903 Stanford	Elyria	Lorain	2-18-20
<i>Arthur Widdows</i>	ARTHUR WIDDOWS	137 TIMBER LANE	ELYRIA	LORAIN	2-18-20
<i>Grey McConnell</i>	Grey McConnell	401 W Herricks	Wellington	Lorain	2-18-20
<i>Carl Mills</i>	Carl Mills	18990 Vermont St	Grafton	Lorain	2-18-20
<i>Kenneth McConnell</i>	Kenneth McConnell	350 Sunrise Dr	Amherst	Lorain	2-18-20
<i>Mark Jones</i>	MARK JONES	2146 Top Rd 405	Jeromesville	Ashland	2-18-20
<i>Cynthia Aspach</i>	CYNTHIA ASPACH	34458 LEWIS ST	N. RIDGEVILLE	LORAIN	2-18-20
<i>John Parker</i>	John PARKER	401 PINEFOREST DR	PARMA	OH	2-18-20
<i>Tom Albright</i>	Tom Albright	2335 Norwalk Rd	Norwalk	OH	2/18/20
<i>Jennifer Boyle</i>	Jennifer Boyle	11526 Spencer Mills	Spencer	OH	2/18/20

# Petition to Increase Buggy Safety

We, the undersigned, qualified electors of Ohio, respectfully petition the State of Ohio to change and increase buggy safety laws, to mandate lighting and reflection markings on animal-drawn vehicles, including buggies and wagons, and to require participation without exception because of the over-riding need to increase safety for all.

**Buggy Front**

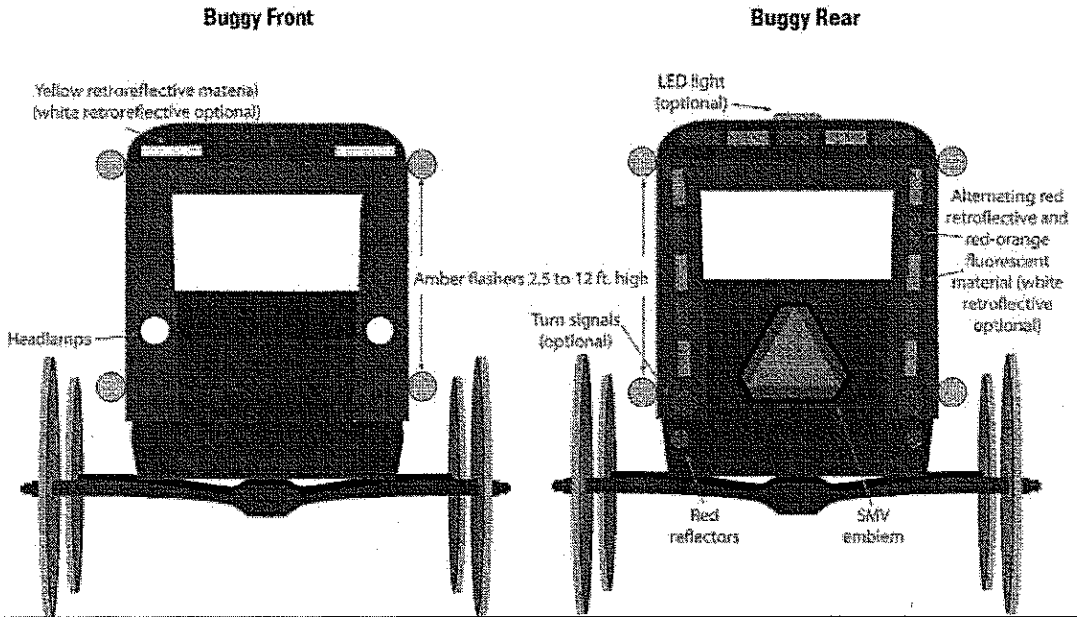
**Buggy Rear**



Signature	Printed Name	Voting Residence Street Address	City or Village	County	Date
1. <i>John J. Smith</i>	John J. Smith	1234 Main	Medina	Medina	5/15/18
2. <i>Rocky Baith</i>	Rocky Baith	6596 Seville Rd	Seville	Medina	1-31-20
3. <i>RYAN BELERRA</i>	RYAN BELERRA	105 TREASE RD	WADSWORTH	MEDINA	1-31-20
4. <i>Jeremy Simcox</i>	Jeremy Simcox	8840 PALMIR RD	Homer	medina	2-1-20
5. <i>James J. Sager</i>	<i>J.J. Sager</i>	10870 New Lomb	SPENCER	MEDINA	2-1-20
6. <i>John Schmygda</i>	John Schmygda	6905 BRANT DR	WESTFIELD	MEDINA	2-1-2020
7. <i>James Sofg</i>	James Sofg	3045 Lester	Medina	medina	2-1-2020
8. <i>Bill Crall</i>	Bill Crall	7268 Spencer Rd	Spencer	Medina	2/1/20
9. <i>Kevin Broadbent</i>	Kevin Broadbent	10945 Smith Rd	East Liberty	Medina	2/1/20
10. <i>Bob Yost</i>	Bob Yost	7371 Kennard Rd	Seville	Medina	2/1/20
11. <i>David Galbraith</i>	DAVID GALBRAITH	8400 Piquette	London	Medina	2/1/20
12. <i>Gary Harris</i>	GARY HARRIS	7942 LAK RD	Chip Lk off	MEDINA	2/1/20
13. <i>Robert Breyley</i>	ROBERT BREYLEY	11007	Spencer	Medina	2/4/2020
14. <i>Mark Albert</i>	Mark Albert	6809 Spencer	New London	Medina	2/5/2020
15. <i>Edwin F. Cole</i>	Edwin F. Cole	9639 Spencer-Lake Rd	spencer	Medina	2/5/2020
16. <i>Kelly Carriv</i>	Kelly Carriv	5948 Lup Rd	Medina	Medina	2/5/2020
17. <i>Sean Wolfe</i>	SEAN WOLFE	920 Esplanade	Medina	Medina	2/7/20
18. <i>Jess Hennis</i>	Jess Hennis	10230 Crawford	Homerville	medina	2-20-20
19.					
20.					
21.					
22.					

# Petition to Increase Buggy Safety

We, the undersigned, qualified electors of Ohio, respectfully petition the State of Ohio to change and increase buggy safety laws, to mandate lighting and reflection markings on animal-drawn vehicles, including buggies and wagons, and to require participation without exception because of the over-riding need to increase safety for all.



Signature	Printed Name	Voting Residence Street Address	City or Village	County	Date
<i>John J. Smith</i>	John J. Smith	1234 Main	Wooster	Wayne	5/15/18
<i>Scott Nichols</i>	Scott Nichols	1987 W Sterling	Burbank	Wayne	1/31/20
<i>Whitney Burgett</i>	Whitney Burgett	4719 Lattasburg Rd	Wooster	Wayne	1/31/20
<i>Betty Jo Underwood</i>	Betty Jo Underwood	495 Britton Rd	Creston	Wayne	1/31/20
<i>Lee A Swain</i>	Lee A Swain	11852 Jeffrey Rd.	West Salem	Wayne	1/31/20
<i>William Cletzer</i>	William Cletzer	8311 Ruff Rd	West Salem	Wayne	2/1/20
<i>Jim Mills</i>	Jim Mills	933 Linden	Wooster	Wayne	2/5/20
<i>Ray Eichel</i>	Ray Eichel	11844 W. Heavens Rd	West Salem	Madison	2-5-20
<i>Mike Werstler</i>	Mike Werstler	3409 Fredericksburg	Wooster	Wayne	2-9-20
<i>Jeff Underwood</i>	Jeff Underwood	495 Britton Road	CRESTON	Wayne	2-9-20
<i>Richard E. Gasser</i>	Richard E. Gasser	2891 Britton Rd	CRESTON	Wayne	2/17/20
<i>Nicholas E. Gasser</i>	Nicholas E. Gasser	9226 IRVIN RD.	CRESTON	WAYNE	2/17/2020
<i>James G. Rice</i>	James G. Rice	9338 Russ Rd	West Salem	Wayne	2/17/20
<i>Eric Louzaday</i>	Eric Louzaday	111 Winslow St	WEST SALEM	WAYNE	2-20-20
<i>ANOK COCHRAN</i>	ANOK COCHRAN	8187 W 5TH FIDWILL WESTERN W	WOOSTER	WAYNE	2-20-20
<del><i>Eric Louzaday</i></del>	<del>Eric Louzaday</del>	<del>2064 Cayenne Pl</del>	<del>West Salem, OH</del>	<del>West Salem</del>	<del>Ashland</del>
17.					
18.					
19.					
20.					
21.					
22.					

23.	Jeff Gilson	JEFF GILSON	3626 LAURELWOOD AVE	WOOSTER	WAYNE	2-12-20
24.	Charles Wright	Charles Wright	4000 Bank On Miller	Wooster	Wayne	2/12/2020
25.	Erin Gibson	Erin Gibson	368 JWSB RD 851	Sullivan	Ashland	2-12-2020
26.	Adam Basamir	ADAM BASAMIR	746 STONE RD	MEDINA	OH	2-12-2020
27.	Erin Stiffler	Erin Stiffler	1040 W. Highland	Wooster	Wayne	2/12/20
28.	Michael Stiffler	Michael Stiffler	526 H Williamsburg Ct	Wooster	Wayne	2-12-2020
29.	Trevor Knapic	Trevor Knapic	3265 Briarwood Dr.	Wooster	Wayne	2-12-2020
30.	Zach Hart	Zach Hart	1629 Old Columbus Rd.	Wooster	Wayne	2-12-2020
31.	Barry Rawson	BARRY RAWSON	1130 N. HONEYCROW	WOOSTER	WAYNE	2-12-2020
32.	Ken Stiffler	Ken Stiffler	1040 W. Highland	WOOSTER	WAYNE	2-12-20
33.	Lorrie Hartzler	Lorrie Hartzler	420 N. Bever St.	Wooster	Wayne	2-12-20
34.	Steve Korman	Steve Korman	7586 River Corners	Spencer	Medina	2-19-20
35.	Kelby Hartshorne	Kelby Hartshorne	476 South Summits St	Smithville	Wayne	2-20-20
36.	Beap Sloan	Beap Sloan	718 E Lincolnway	Apple Creek	Wayne	2-20-20
37.	Robert Wickens	ROBERT WICKENS	476 SOUTH SUMMIT	SMITHVILLE	WAYNE	2-20-20
38.						
39.						
40.						
41.						
42.						
43.						
44.						
45.						
46.						
47.						
48.						
49.						
50.						

**WHOEVER COMMITS ELECTION FALSIFICATION IS GUILTY OF A FELONY OF THE FIFTH DEGREE**

Must be completed by the circulator.

I \_\_\_\_\_, declare under penalty of election falsification that I reside at the address appearing below my signature; that I am the circulator of the foregoing petition containing \_\_\_\_\_ (number) signatures; that I witnessed the affixing of every signature; that all signers were to the best of my knowledge and belief, qualified to sign; and that every signature is to the best of my knowledge and belief the signature of the person whose signature it purports to be or of any attorney in fact acting pursuant to section 3501.382 of the Ohio Revised Code.

Printed Name of Circulator

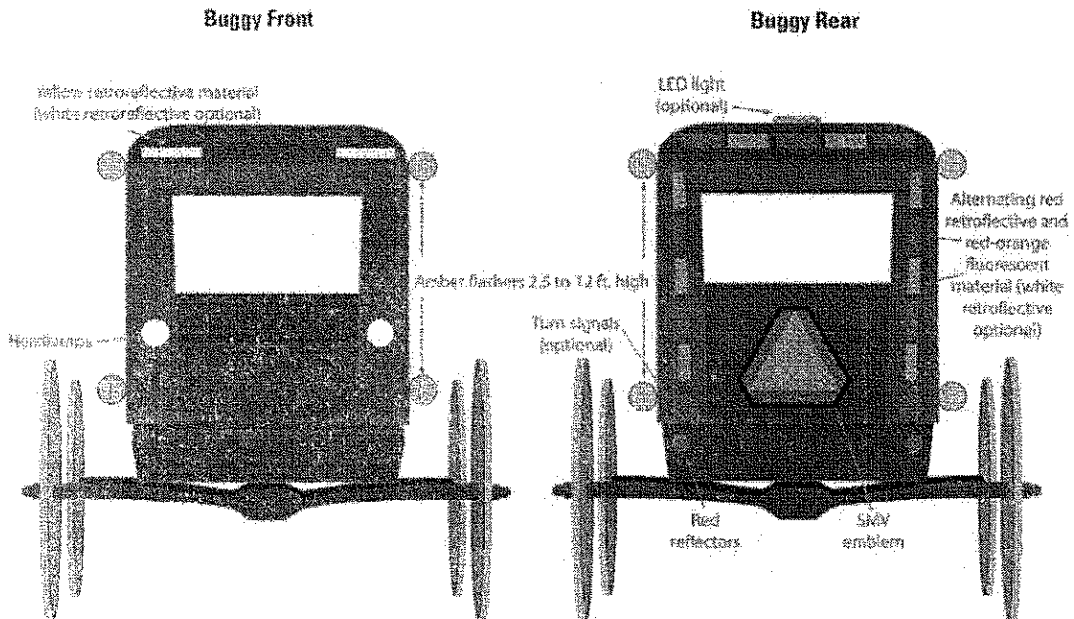
Signature of Circulator

Permanent Address of Circulator

City / State / Zip of Circulator

# Petition to Increase Buggy Safety

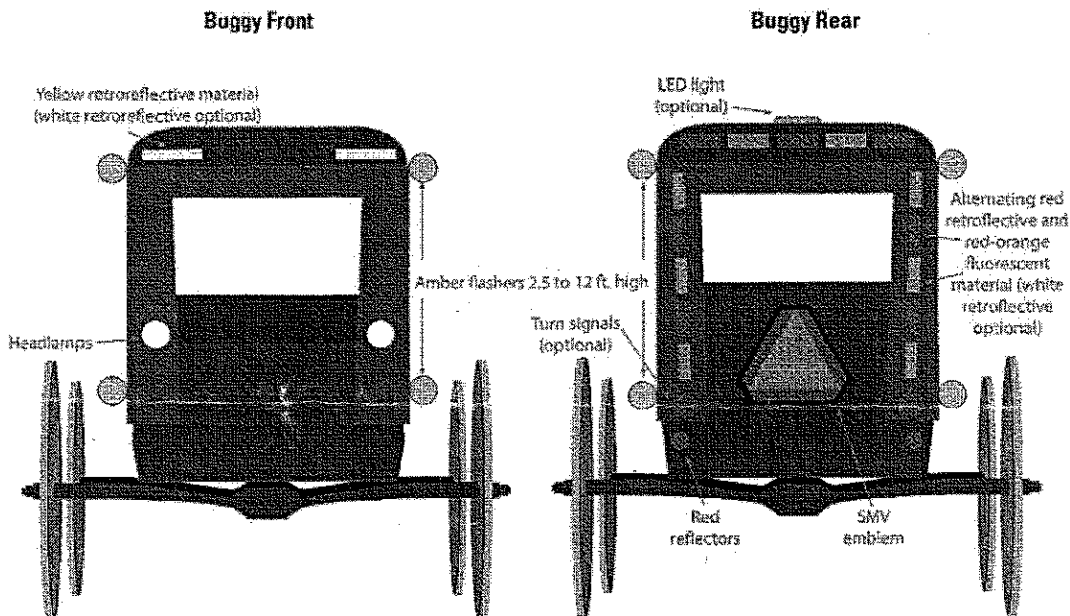
We, the undersigned, qualified electors of Ohio, respectfully petition the State of Ohio to change and increase buggy safety laws, to mandate lighting and reflection markings on animal-drawn vehicles, including buggies and wagons, and to require participation without exception because of the over-riding need to increase safety for all.



Signature	Printed Name	Voting Residence Street Address	City or Village	County	Date
<i>John J. Smith</i>	John J. Smith	1234 Main	Wooster	Wayne	5/15/18
<i>John Dechant</i>	JOHN DECHANT	8727 Rice Hill	Burbank	Wayne	2/11/20
<i>Kathleen Dechant</i>	KATHLEEN DECHANT	8727 Rice Hill	Burbank	Wayne	2/12/20
<i>Deb Snyder</i>	Deb Snyder	1823 Lynn Dr	Deerville	Wayne	2/13/20
<i>Bob Kastner</i>	Bob Kastner	2559 Montclair Ave	Wooster	Wayne	2/12/20
<i>Kathy Burley</i>	KATHY BURLEY	11845 T.R. SW	Shreve	Holmes	2/12/20
<i>Stacey Hiller</i>	Stacey Hiller	1110A Co. Rd. 251	Poik	Ashland	2-12-20
<i>Joanna Moine</i>	Joanna Moine	9438 Pleasant Home Rd	Sterling	Wayne	2/12/20
<i>Taylor Gilmore</i>	Taylor Gilmore	5453 Millersburg Rd	Wooster	Wayne	2-12-20
<i>Kelly Riley</i>	Kelly Riley	376 Pine St	Creston	Wayne	2-12-20
<i>Janna Leedy Underwood</i>	Janna Leedy Underwood	2324 Pebble Brook Park	Orville	Wayne	2-12-20
<i>Larry L Bower</i>	Larry L Bower	6525 Lakeside Rd	Wooster	Wayne	2-12-20
<i>Marta Bower</i>	Marta Bower	1197 Bancroft Ave	Wooster	Wayne	2-12-20
<i>Sasha Kidwell</i>	Sasha Kidwell	3381 Kister Rd Shreve, OH 44076	Shreve	Wayne	2-12-20
<i>Melissa Koch</i>	Melissa Koch	1870 Brookwood Ct Orville, OH 44061	Orville	Wayne	2-12-20
<i>Sean Seal</i>	Sean Seal	379 TR 150 Jeromesville	Jeromesville	Ashland	2-12-20
<i>Dave Perry</i>	Dave Perry	5785 Swille Rd Swille, OH 44073	Swille	Medina	2-12-20
<i>Mike Perry</i>	Mike Perry	6183 Root Rd Spencer, OH 4275	Spencer	Medina	2/12/20
<i>Tyler Soalle</i>	Tyler Soalle	1483 Mohawk Ave NW Canton, OH 44708	Canton	Stark	2/12/20
<i>Dave Miller</i>	Dave Miller	2145 S. RLYN	Wooster	Wayne	2-12-20
<i>Charles Swygood</i>	CHARLES Swygood	2069 Eagle Pass	Wooster	Wayne	2-12-20
<i>Jeffrey Wilson</i>	JEFFREY WILSON	9960 West Salem Rd	West Salem	Wayne	2-12-20

# Petition to Increase Buggy Safety

We, the undersigned, qualified electors of Ohio, respectfully petition the State of Ohio to change and increase buggy safety laws, to mandate lighting and reflection markings on animal-drawn vehicles, including buggies and wagons, and to require participation without exception because of the over-riding need to increase safety for all.



Signature	Printed Name	Voting Residence Street Address	City or Village	County	Date
1. <i>John J. Smith</i>	John J. Smith	1234 Main	Ashland	Ashland	5/15/18
2. <i>Mickey D Heiby</i>	Mickey D Heiby	2188 TWP Rd 157	Perrysville	Ashland	1/27/20
3. <i>Andy Middaugh</i>	Andy Middaugh	1150 TWP Rd 203	Polk	Ashland	1-27-20
4. <i>Harmon Middaugh</i>	Harmon Middaugh	1136 TWP Rd 203	Polk	Ashland	1-27-20
5. <i>Roger Briggs</i>	Roger Briggs	110 Twp Rd 1700	Jeromesville	Ashland	1-29-20
6. <i>Mary Iceheart</i>	MARY ICEHEART	1230 Twp Rd 175	Jeromesville	Ashland	1-29-20
7. <i>Roy Iceheart</i>	ROY ICEHEART	1730 Twp Rd 175	Jeromesville	Ashland	1-29-20
8. <i>Linda Garmen</i>	Linda GARMEN	2063 Co Rd 175	Jeromesville	Ashland	1-29-20
9. <i>Vernon Iceheart</i>	VERNON ICEHEART	79 21-Co Rd 2175	Jeromesville	Ashland	1-29-20
10. <i>Shelly Knisely</i>	Shelly Knisely	5961 Rominger Rd	Crestline	CRAWFORD	1-28-20
11. <i>Brack Nuhk</i>	Brack Nuhk	2640 pulente rd	Willard	Huron	1-29-20
12. <i>Steve Davis</i>	Steve Davis	477 W. Starting Rd	Burbank	Wayne	1-28-20
13. <i>Shelli Nelson</i>	Shelli Nelson	272 CE 30A	Jeromesville	Ashland	1-28-20
14. <i>Kurt Karfer</i>	KURT KARFER	1458 CR 251	Jeromesville	Ashland	1-28-20
15. <i>Todd Grover</i>	Todd Grover	1487 Boney Rd	Ashland	Ashland	1/28/2020
16. <i>Brandon Glass</i>	Brandon Glass	4390 MALLEY RD	Wapakoneta	Wayne	1/28/2020
17. <i>Tim Burley</i>	Tim Burley	2030 ST Rt 89	Jeromesville	Ashland	1-28-20
18. <i>Julia Burley</i>	Julia Burley	2030 ST Rt 89	Jeromesville	Ashland	1-28-2020
19. <i>Tyler Elliott</i>	TYLER ELLIOTT	1518 ST R 89	Jeromesville	Ashland	1-28-20
20. <i>John H. Cutlip</i>	John H. Cutlip	1500 Bell Rd	Wapakoneta	Wayne	1-28-20
21. <i>Kristen Jolliff</i>	Kristen Jolliff	165 W. Main St	Jeromesville	Ashland	1-28-2020
22. <i>Andrew Hall</i>	Andrew Hall	1967 Co Rd 175	Jeromesville	Ashland	1-28-20



23.	Don Randberg	Don Randberg	223 Co. Rd. 1675	Jeromesville	Ashland	1/28/20
24.	Bob	Rick Heffelfy	587 Cold 180	Sacramento		1-28-20
25.	Chad McKen	CHARLES M. TENER	255 SR 58	SULLIVAN	ASHLAND	1-30-20
26.	Stanley L. Sellers	STANLEY L. SELLERS	1729 ST. RT 89	Jeromesville	ASHLAND	1-30-20
27.		Paul Soles	405 CR 1302	Polk	Ashland	1-30-20
28.	Debra Meyer	DANIEL MEYER	1228 Twp 753	ASHLAND	ASHLAND	1-30-20
29.	CS Soles	Catherine Soles	162 C. R. 30A	Jeromesville	Ashland	1-30-20
30.	Emilia M. Farnas	EMILIA FARNAS	19 W. NORTH ST	Jeromesville	Ashland	1-30-20
31.	Duane GARR	Duane GARR	1652 Cold 125	Jeromesville	Ashland	1-31-2020
32.	Tim Krebs	Tim Krebs	1873 Twp Rd. 85	Jeromesville	Ashland	1-31-20
33.	Michael D Fruth	Michael D Fruth	1498 Cold 175	Jeromesville	Ashland	2-3-2020
34.						
35.						
36.						
37.						
38.						
39.						
40.						
41.						
42.						
43.						
44.						
45.						
46.						
47.						
48.						
49.						
50.						

**WHOEVER COMMITS ELECTION FALSIFICATION IS GUILTY OF A FELONY OF THE FIFTH DEGREE**

Must be completed by the circulator.

I \_\_\_\_\_, declare under penalty of election falsification that I reside at the address appearing below my signature; that I am the circulator of the foregoing petition containing \_\_\_\_\_ (number) signatures; that I witnessed the affixing of every signature; that all signers were to the best of my knowledge and belief, qualified to sign; and that every signature is to the best of my knowledge and belief the signature of the person whose signature it purports to be or of any attorney in fact acting pursuant to section 3501.382 of the Ohio Revised Code.

\_\_\_\_\_  
Printed Name of Circulator

\_\_\_\_\_  
Signature of Circulator

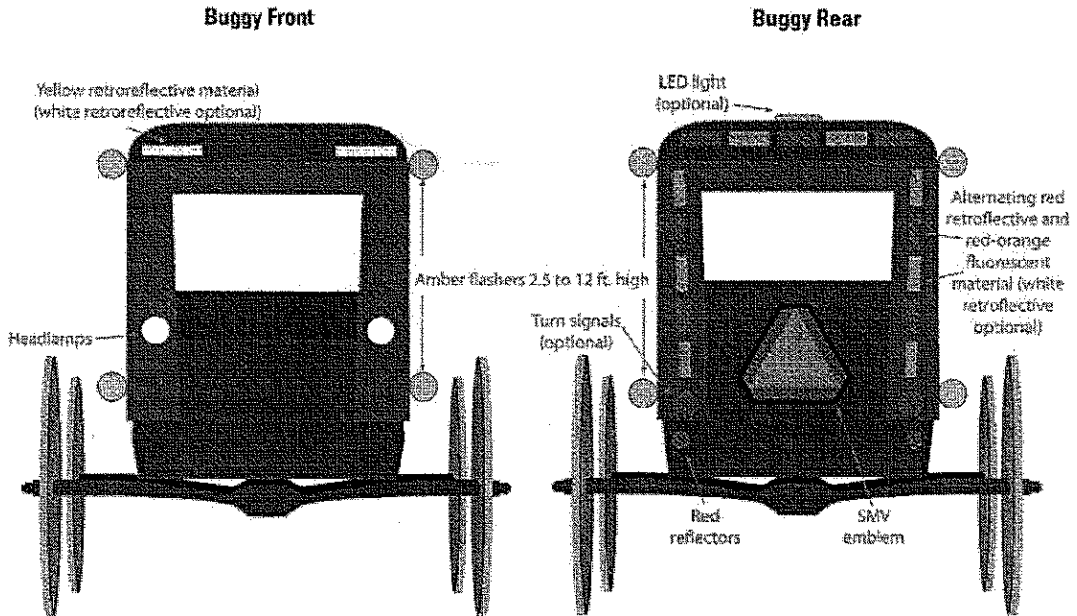
\_\_\_\_\_  
Permanent Address of Circulator

\_\_\_\_\_  
City / State / Zip of Circulator



# Petition to Increase Buggy Safety

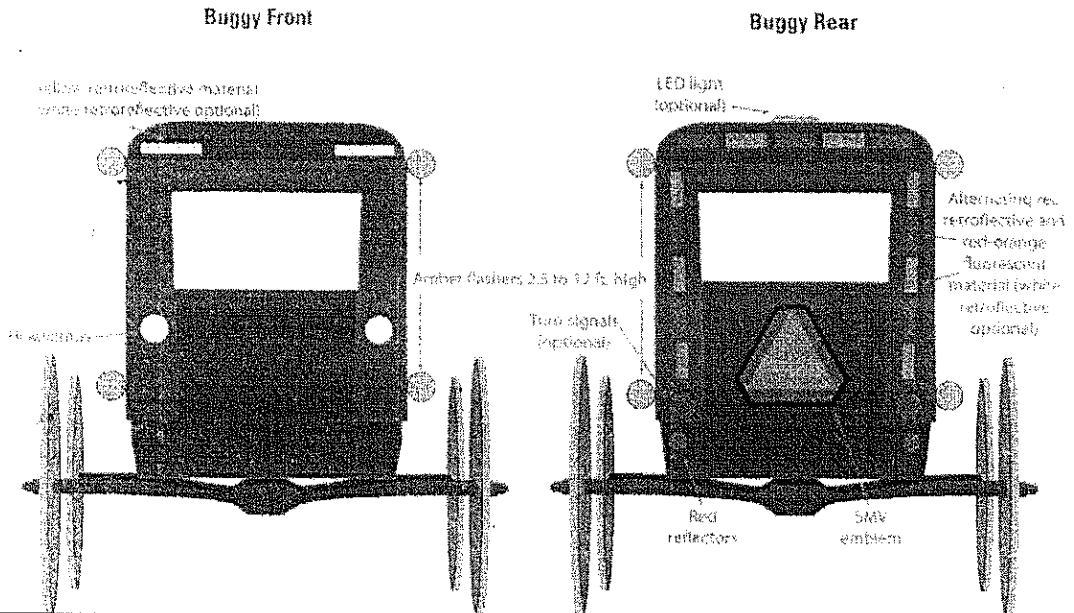
We, the undersigned, qualified electors of Ohio, respectfully petition the State of Ohio to change and increase buggy safety laws, to mandate lighting and reflection markings on animal-drawn vehicles, including buggies and wagons, and to require participation without exception because of the over-riding need to increase safety for all.



Signature	Printed Name	Voting Residence Street Address	City or Village	County	Date
<i>John J. Smith</i>	John J. Smith	1234 Main	Ashland	Ashland	5/15/18
<i>Bruce Keener</i>	Bruce Keener	12017 W. Easton Rd.	West Salem	Wayne	2/3/20
<i>Paul Keener</i>	Paul Keener	2039 Top Rd 405	Jeromesville	Ashland	2/3/20
<i>Jim Atkins</i>	Jim Atkins	Mindy Lane	Wooster	Wayne	2/3/20
<i>George S. Kora</i>	George S. Kora	4911 Top Rd 700	Polk	Ashland	2-4-2020
<i>Berry Meeder</i>	Berry Meeder	8657 YR 527	Shroe	Wayne	2-4-20
<i>Brett Keener</i>	Brett Keener	9804 Finley Rd.	Wooster	Wayne	2-5-20
<i>Leroy Gilbert</i>	Leroy Gilbert	9685 Ruff Rd	West Salem	Wayne	2-5-2020
<i>Shawn Hubler</i>	Shawn Hubler	4392 Berkeley Rd	W. Salem	Wayne	2-5-2020
<i>Johnathan White</i>	Johnathan White	6392 Berkeley Rd	W. Salem	Wayne	2-5-2020
<i>Andrew Onslow</i>	Andrew Onslow	2911 14th St	Cuyahoga Falls	Summit	2-5-2020
<i>Dan Fulk</i>	Dan Fulk	1788 CRD 555	Jeromesville	Ashland	2-5-20
<i>Chad Lewis</i>	Chad Lewis	9812 Ruff Rd.	West Salem	Wayne	2-5-20
<i>Tyler Burkcap</i>	Tyler Burkcap	4231 West Pleasant	DEWBANK	WAYNE	2-6-20
<i>Dallas Tolliver</i>	Dallas Tolliver	2759 U.S. Route 250	Greenwich	Huron	2/6/20
<i>Kurt Keener</i>	Kurt Keener	1077 FAIRFIELD DR	WOOSTER	WAYNE	2/6/20
<i>Brady Hewitt</i>	Brady Hewitt	1	Lodi	Madura	2/6/20
<i>Kurt Rickett</i>	Kurt Rickett	6250 W. SMITHVILLE WEST	WOOSTER	WAYNE	2-6-20
<i>Brett M. Reed</i>	Brett M. Reed	9354 Martin Rd	West Salem	Wayne	2/6/2020
<i>Chase Lighty</i>	Chase Lighty	6005 WEST BRITTON ROAD	WEST SALEM	WAYNE	2/6/2020
<i>Deanna M. Keener</i>	Deanna M. Keener	10077 W. EASTON	W. SALEM	WAYNE	2-7-20
<i>John T Redick</i>	John T Redick	4441 N Elysia	Wooster	Wayne	2-7-2020

# Petition to Increase Buggy Safety

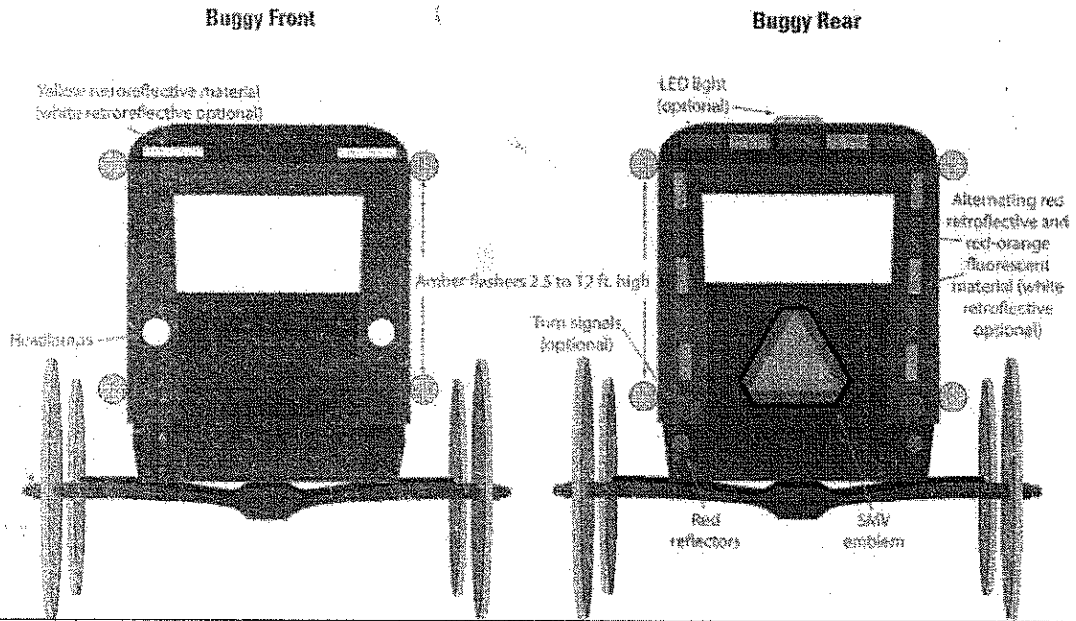
We, the undersigned, qualified electors of Ohio, respectfully petition the State of Ohio to change and increase buggy safety laws, to mandate lighting and reflection markings on animal-drawn vehicles, including buggies and wagons, and to require participation without exception because of the over-riding need to increase safety for all.



Signature	Printed Name	Voting Residence Street Address	City or Village	County	Date
<i>John J. Smith</i>	John J. Smith	1234 Main	Wooster	Wayne	5/15/18
<i>[Signature]</i>	<del>BRIAN WAGNER</del>		H		
<i>Alex Miller</i>	Alex Miller	393 North main.	<del>Wooster</del> millers burg	Holmes	2/11/20
	Richard Baramon	6900 Waverly Rd	Smithville	Wayne	Feb 20
	Jeff Ripley	8566 Cleve rd	Wooster	Wayne	2-11-2020
<i>Stuart Schaffter</i>	Stuart Schaffter	3888 Columbus Rd.	Wooster	Wayne	2-12-2020
<i>Kevin Slabaugh</i>	Kevin Slabaugh	3950 Bachleyville	wooster	WAYNE	2-12-2020
<i>Joshua Richardson</i>	Joshua Richardson	128 1/2 South Mill St.	Fredericksburg	Wayne	2-17-2020
<i>James W. Orr</i>	James W. Orr	9554 Levenschlag	Apple Creek	Wayne	2-18-2020
<i>[Signature]</i>	SUSTIN TRISKET	2505 Diner Rd	Wooster	Wayne	2-18-2020
11.					
12.					
13.					
14.					
15.					
16.					
17.					
18.					
19.					
20.					
21.					
22.					

# Petition to Increase Buggy Safety

We, the undersigned, qualified electors of Ohio, respectfully petition the State of Ohio to change and increase buggy safety laws, to mandate lighting and reflection markings on animal-drawn vehicles, including buggies and wagons, and to require participation without exception because of the over-riding need to increase safety for all.



Signature	Printed Name	Voting Residence Street Address	City or Village	County	Date
1. <i>John J. Smith</i>	John J. Smith	1234 Main	Wooster	Wayne	5/15/18
2. <i>Brian Waggy</i>	BRIAN WAGGY	291 W. SUNSET DR.	RZTIAN	WAYNE	2/10/2020
3. <i>Tom Funk</i>	Tom Funk	7409 RT 754	Shreve	Wayne	2/12/20
4. <i>Chris Harman</i>	CHRIS HARMAN	6558 CANTON	WOOSTER	WAYNE	2/1/11
5. <i>William L Sherman</i>	William L Sherman	157 county rd	Securusville	Wayne	2/11
6. <i>Jan Adams</i>	Jan Adams	10076 OVERLAND	Burbank	OHIO	2/1/20
7. <i>Helen Adkins</i>	Helen Adkins	Melrose D	Wooster	Wayne	2/12/2020
8. <i>Derick Bowman</i>	Derick Bowman	4641 W. Pleasant Home Rd	Burbank	Wayne	2/12/20
9. <i>Rolando Hernandez</i>	Rolando Hernandez	6500 Newkirk Rd	Shreve	Wayne	2/13/20
10. <i>James DeSanto</i>	James DeSanto	9315 Haver Rd	wooster	Wayne	2-15-20.
11. <i>El Keller</i>	EL Keller	13751 COMS NASS	wooster	Wayne	2-15-20
12.					
13.					
14.					
15.					
16.					
17.					
18.					
19.					
20.					
21.					
22.					